

Torfenster® twin
Doors & Windows



IMPECCABLY
DESIGNED
WORLD'S
MOST STYLISH
WINDOWS

Torfenster® twin
Doors & Windows

Torfenster Systems India Pvt. Ltd.

No. 44, 2nd Floor, Above Jeep Showroom,
Tumkur Road, Yeshwanthpur, Bangalore - 560022 (INDIA)

+91 80 23479738 | +91 9448191919

info@torfenster.com

www.torfenster.com

Grafiko Advt : 9871451313, 9810730491

www.torfenster.com





SINCE 2007 **plus**
7million **sqft.**

Torfenster[®] *twin*
Doors & Windows



To remain as the 1st preferred choice of customers by understanding their need in detail, offering futuristic product design, following industry best manufacturing standards without deviation, producing realistic & affordable product, delivering & installing them through skillfully trained team as per committed schedule, assuring them complete peace of mind with longest warranty policy in the market.

Torfenster® twin
Doors & Windows



- World Class Profile with 15 years of warranty
- Stylish & Innovative Hardware.
- Complete GI reinforcement of 120 GSM End to End in frame & sash (including insect screen)
- Co-extruded EPDM gasket for maximum sound insulation with single and double glazed glass options.

Torfenster® twin
Doors & Windows



MANUFACTURING CAPABILITY

- Profile is environment friendly with no lead being acrylic based and resistant to diverse climatic conditions and impact.
- One of the very few companies in the world to have German RAL certification since 2002 and follow quality manufacturing standards viz., RAL, DIN, EN, TSC.
- Have a large fabrication facility of 400+ windows per shift being expanded to 500+
- Spreads across 1,00,000 sqft.



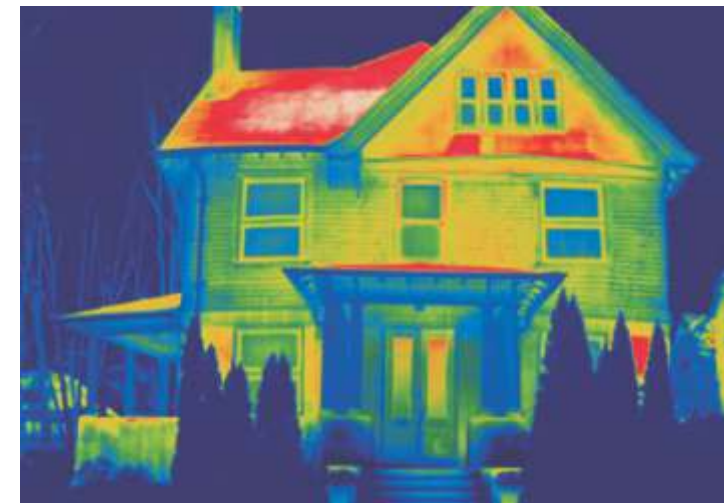
Torfenster® twin
Doors & Windows



Product Uniqueness

- 1 High Acoustic / Sound Insulation
- 2 Maximum Wind Resistance
- 3 Energy Efficient
- 4 Maximum Water Tightness
- 5 Thermal Insulation
- 6 Structural Stability

Torfenster[®] *twin*
Doors & Windows





ECO FRIENDLY

Green Product is Environmentally Friendly
Green Product Enhances Performance
Added Value at No Extra Cost

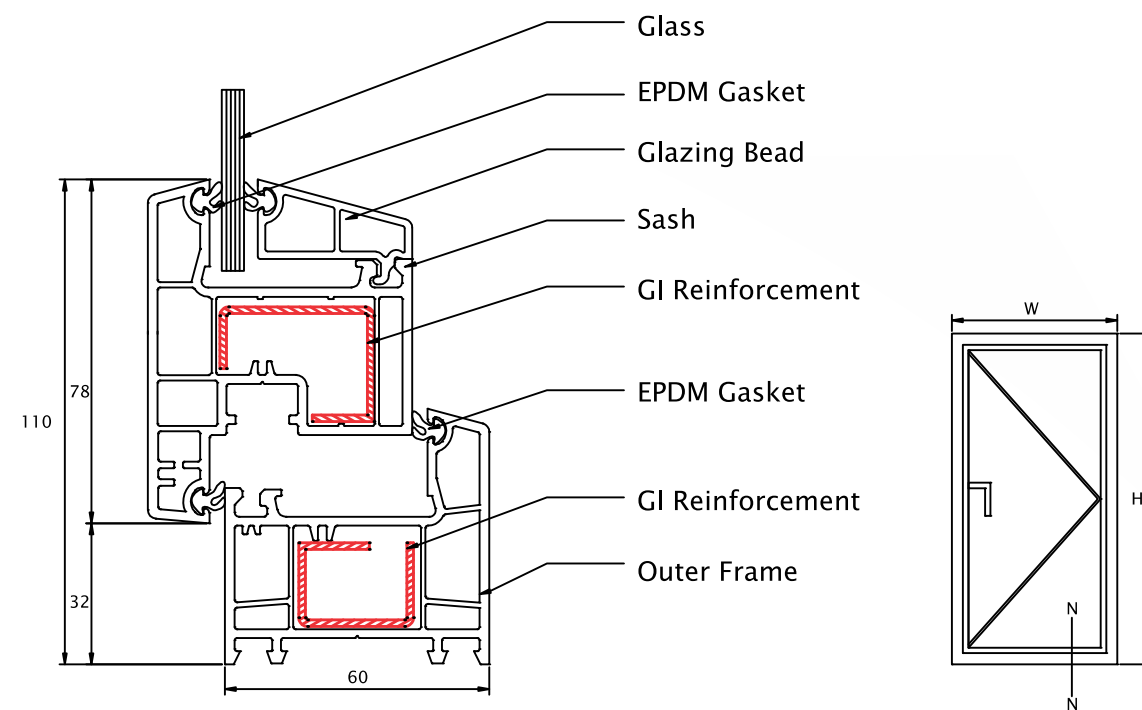
Due to its unique properties, uPVC is widely recognized as one of the best and most efficient materials for windows and doors. Green windows add benefits to every stage of its life cycle and make your decision easier to use Torfenster uPVC windows and doors.





OPENABLE WINDOWS

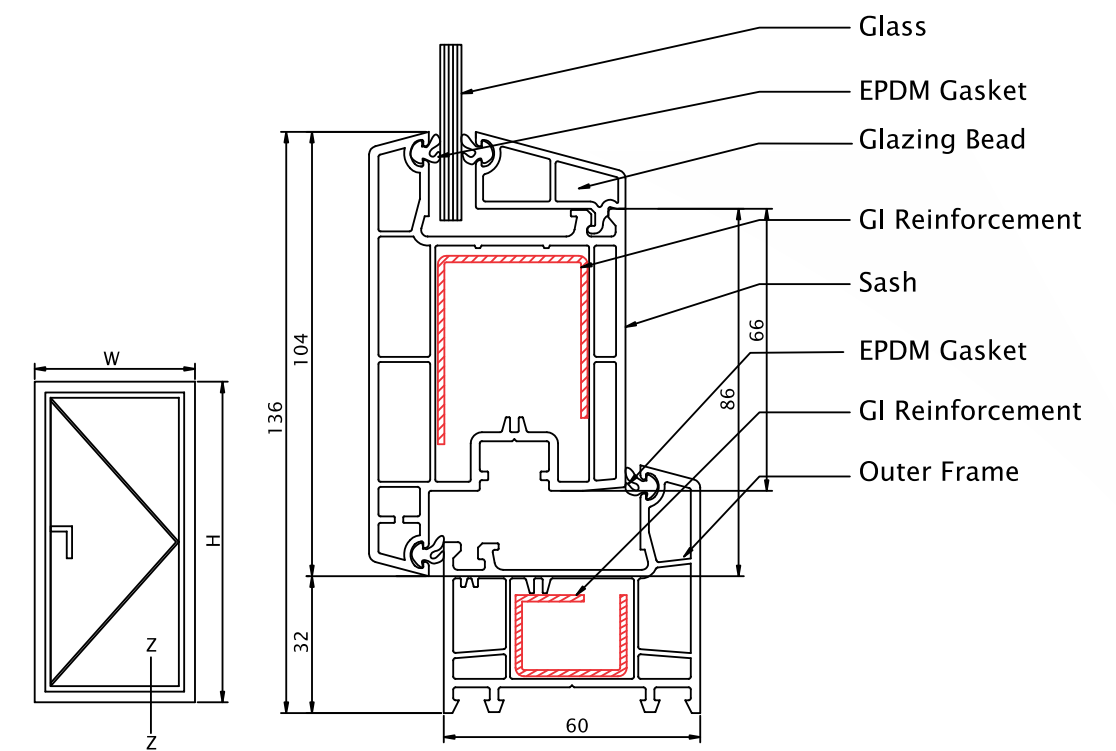
1. Casement windows are the second most energy-efficient after fixed-pane windows. The window sash presses against the frame on closing, creating an airtight seal. This helps prevent air entry and leakage.
2. Coextruded glazing bead makes water seepages nearly impossible
3. Glass thickness from 5mm–24mm
4. It gives maximum sound reduction and water tightness because of double sealing mechanism
5. Can be possible either inside or outside openable windows



Cross section of out ward opening window

OPENABLE DOORS

1. Casement doors are the second most energy-efficient after fixed-pane windows. The door sash presses against the frame on closing, creating an airtight seal. This helps prevent air entry and leakage.
2. Coextruded glazing bead makes water seepages nearly impossible
3. Glass thickness from 5mm–24mm
4. It gives maximum sound reduction and water tightness because of double sealing mechanism
5. Can be possible either inside or outside openable door

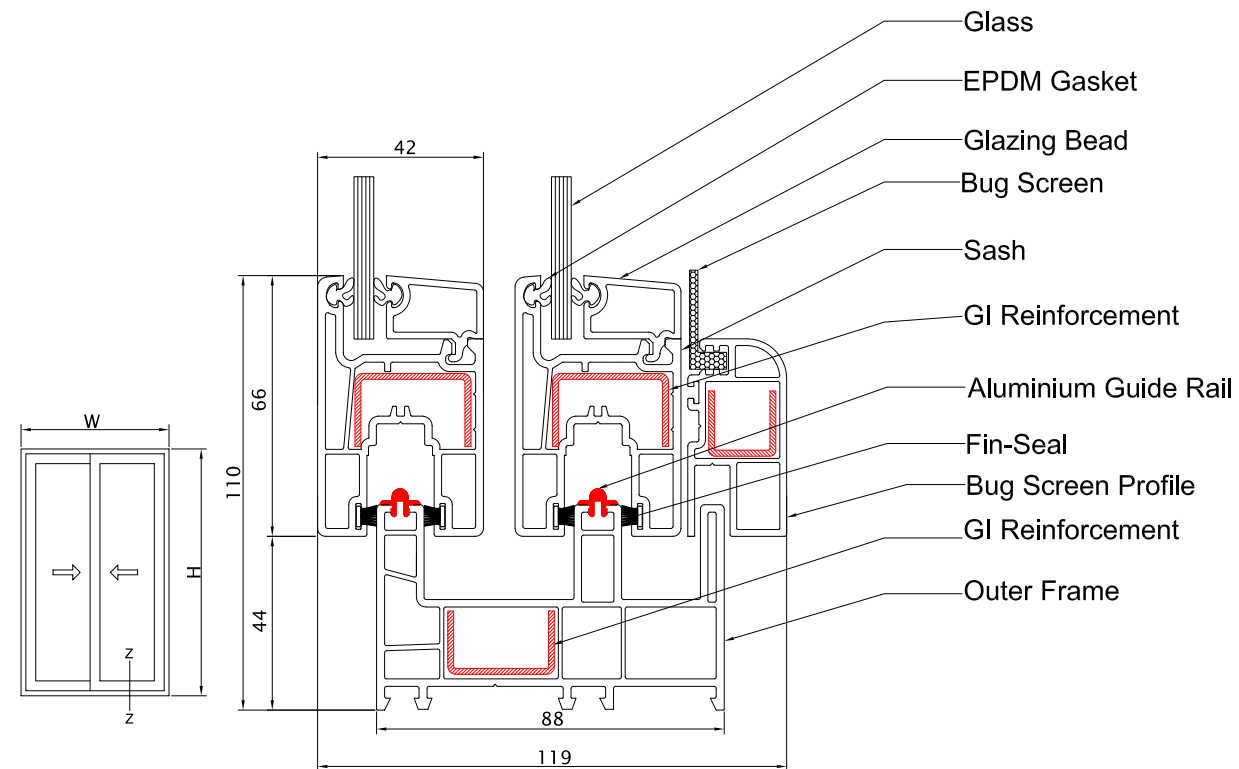


Cross section of out ward opening door



SLIDING WINDOWS

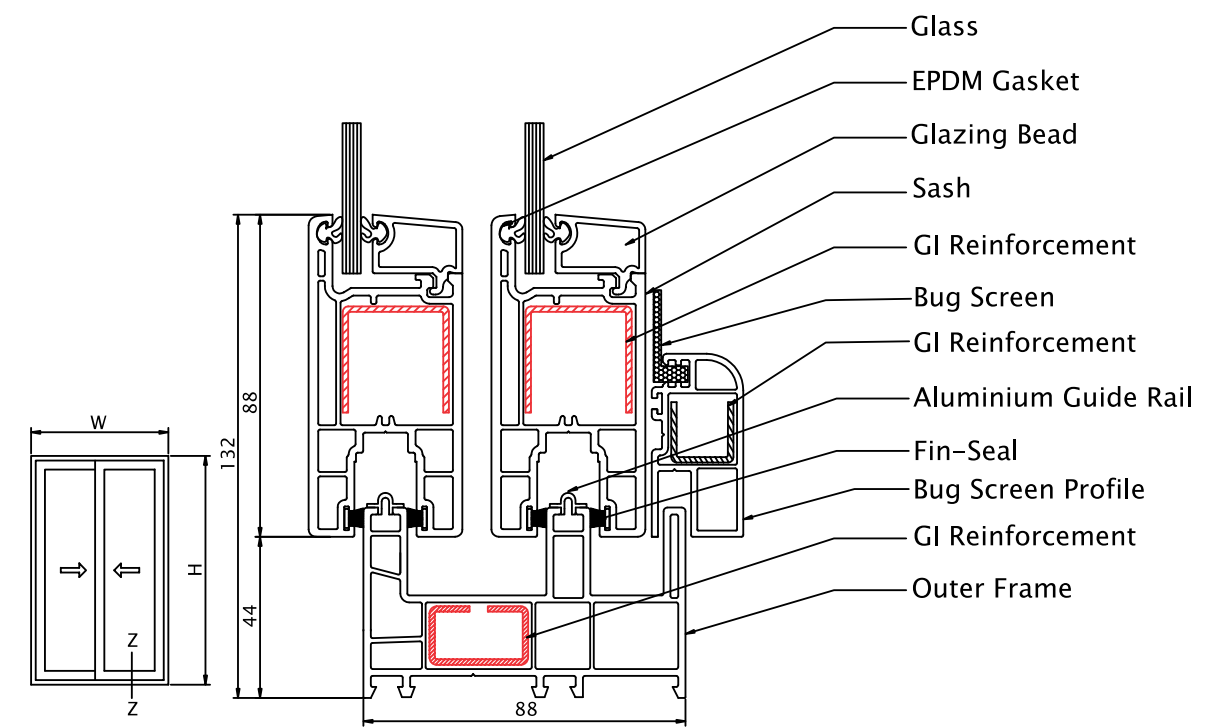
1. Easy to use. Slider windows require very little effort and dexterity to open and close. They aren't heavy and they glide along the window frame with easy. To use, all you have to do is release a latch and slide the window open
2. Coextruded glazing bead water seepages nearly impossible
3. Glass thickness from 5mm–22mm
4. Possible with and without mosquito mesh



Cross section of sliding window with mosquito mesh

SLIDING DOORS

1. This is big size opening and comes with multipoint locking system
2. Coextruded glazing bead makes water seepages nearly impossible
3. Glass thickness from 5mm–22mm
4. Possible with and without mosquito mesh

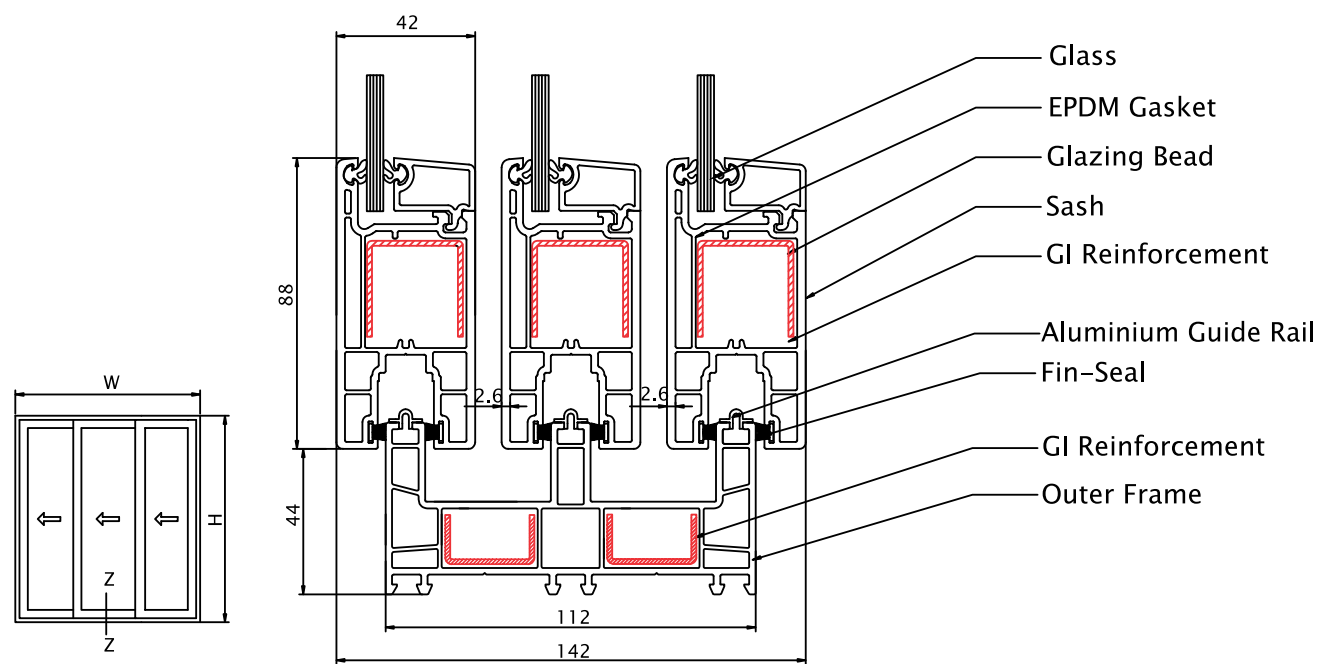


Cross section of sliding door with mosquito mesh



SLIDING DOOR 3T-3P

1. This is big size opening and comes with multipoint locking system
2. Coextruded glazing bead makes water seepages nearly impossible
3. Glass thickness from 5mm–22mm
4. Possible with and without mosquito mesh



Cross section of sliding door (3T-3P) without mosquito mesh

