

A REMSON Product

REMSON[™]
S k y w a r d I n c

**A LEADING
FALSE CEILING
COMPANY**





Remson Group

An ISO 9001:2015 Certified Company

Remson Group has been promoted by the entrepreneurs having cumulative experience of more than 50 years in the field of Aluminium Extrusion Products. Remson has always believed in creating the best quality aluminium extrusion products, using the latest technology. Research, innovation and a futuristic vision of the promoters of Remson Group has created a remarkable legacy.

Metal Ceiling by Remson Skyward – are undoubtedly one of the best quality Aluminium Ceiling for construction industry. We understand the concerns of construction industry and with our products, we are providing amazing benefits and answers to the most common issues of the industry.

Introduction

We are launching our new product for Metal false ceiling. Our manufacturing unit is located at Rajkot (Gujarat) India.

Aluminium and Iron Metal are widely used in false ceilings. Metals are hard and durable by their very nature. These ceiling panels can be installed easily and require very little maintenance. They can also be easily removed and reinstalled which makes it ideal to house water pipes, AC ducts and electric wires away from public glare. Metal ceiling panels can be finished in innovative ways to increase the aesthetic appeal of the ceiling.

False Ceiling System



Why Use Metal False Ceilings?

In every modern building, the ceiling is an important part of the interiors. There are many reasons why suspended ceilings are gaining wide acceptance in modern buildings. Some of them are:

ACCESS TO THE PLENUM

The creation of a plenum allows the installation of air conditioning while a suspended ceiling facilitates access to this plenum. Accessibility to services such as electric, heating, ventilation, smoke detection. A telephone, air and sprinkler system is one of the important Functions of suspended ceilings. Remson's all ceilings are designed to allow easy access. Tiles or panel may be lifted out to allow inspection, maintenance, installation or removal of concealed services.

FIRE PROTECTION

Suspended ceilings should be carefully evaluated for their fire resistance and fire reaction. Ceilings should not aid fire by being combustible or letting off harmful gases or smoke, while under fire. Ceiling should not melt, break or deformed under normal fire conditions.

THERMAL INSULATION

Suspended False Ceilings help in Thermal Insulation of buildings. Due to superior Thermal Insulation property of the ceiling, material's external heat is kept outside while air conditioned cooling is preserved inside.

DURABILITY

Metal ceiling systems are stronger and durable than traditional dropped ceiling materials while offering easy access to the ceiling void. These items need regular maintenance and occasional repair. Being able to access the false ceiling with the peace of mind that there is no breaking of ceiling tiles stepping through them, it is a big advantage of Aluminium & Metal ceiling system. Additionally, metal ceilings are also moisture resistant which reduces the chance of staining and crumbling from leaks.

STRENGTH

Metal panels are stronger and less prone to cracks and breaks than traditional dropped ceiling materials while still offering easy access to the ceiling void. Within the ceiling void most buildings run wiring, conduits, and install environmental controls. In addition, cameras and other security components are also located in the ceiling.

All these items need regular maintenance and occasional repair. Being able to access the sub roof without fear of breaking ceiling tiles by opening them or stepping through them is a big advantage of metal. Metal ceilings are also moisture resistant which mitigates staining and crumbling from leaks.

STYLE AND VARIETY

Linear Metal ceilings are available in a wide variety of styles, textures, and finishes. Metals of linear ceiling systems can be coated with any color of your choice and can be made to resemble anything from classic tin roof squares to an elegant smooth finish in your signature colors. One of the best ways to use this type of material is to hide an ugly plaster ceiling. If you want to avoid coating with paint, then go with the metal colors that come in many attractive hues and finishes of its own: steel, brass, copper, aluminum, and chrome. They can either be simple metal with base color, powder coated, brushed, or polished.

The material for Metal ceiling systems also come in different shapes to provide a spectacular view. A completely different look can be created by adding designs and crafting the underlying supports in curving structures or by giving the linear system a differing height.

Overall, Metal ceilings are excellent as they are cost effective and flexible to design and a great value for money. Why don't you take the advantages of installing Aluminium ceiling which requires less maintenance, is more fire resistant, and also less costly to repair?



Why Use Remson Skyward False Ceilings?



When selecting False Ceiling Systems, the following considerations should be taken into account :

- ◀ Affordability, including installation cost and life-cycle costs.
- ◀ Resistance to environmental conditions such as high humidity or wind loads.
- ◀ Weight (an especially important consideration in building renovation projects).
- ◀ Maintainability and refinish ability of materials.
- ◀ Panel size and shape preferences.
- ◀ Appearance.
- ◀ Availability.
- ◀ Recycle ability.
- ◀ Strength and durability.
- ◀ Technical support form manufacturer.
- ◀ Color and light reflectance values.
- ◀ Less flame spread and more fire resistance.

The combination of all these features makes Remson Skyward False Ceilings the ideal choice for high quality ceilings in Office Buildings, Hotels, Hospitals, Education Facilities, Airport Buildings, Shopping Centers, Residences and virtually any other conceivable building.

CONTENTS

FRESCO

- 07 84C | 184C
- 08 84R | 184R | 84RF | 184RF
- 09 Multi-C
- 10 150F
- 11 Sun-Louvers

FRESCO BAFFLE

- 13 U-Shaped Baffle
- 14 Multi-Baffle
- 15 V-Shaped Baffle
- 16 Baffle Louvers

FRESCO GRID

- 18 Lay-in Tile
- 19 Clip-in Tile
- 20 Open Cell Ceiling

- 22 Material Finish

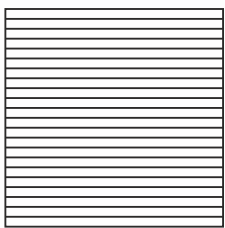
FRESCO

REMSON
Skyward Inc

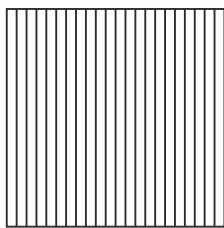
FRESCO 84C | 184C



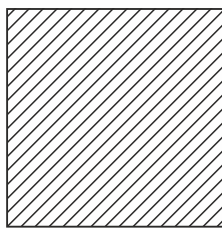
Panel Layout Option



Panel Running
Width of Room

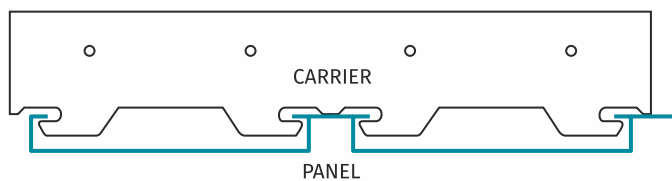


Panel Running
Length of Room



Panel Running
Diagonal of Room

84-C, 184-C, 60-C Panel



184



12.5

84

24



60

Fresco 84C has been used extensively on exterior and interior applications and gives designers options for visual design continuity. Panels are clipped into the concealed suspension system to form a closed joint linear ceiling. It will give a rhythm to any Project, where colors & length come together. Various acoustical criteria can be met with the inclusion of acoustical inlays.

Product Specification



PANEL

Square edge, 84mm wide, 12.5mm deep, length up to 5 mtr.



MATERIAL

Galvanized Steel 0.5mm / 0.45mm, Aluminum 0.5mm -TCT.



CARRIER

Carrier shall be 32 mm wide and 39mm deep of 0.5mm Galvanized Steel stove enameled black to hold Panel in module of 100 mm.



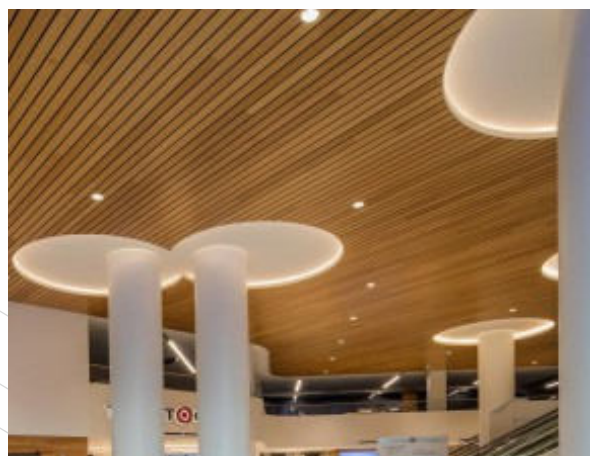
PAINT FINISH

55 microns thick powder coating on exposed surface or 25 microns polyester coil coated over primer on visible surface with primer coat on rear side.

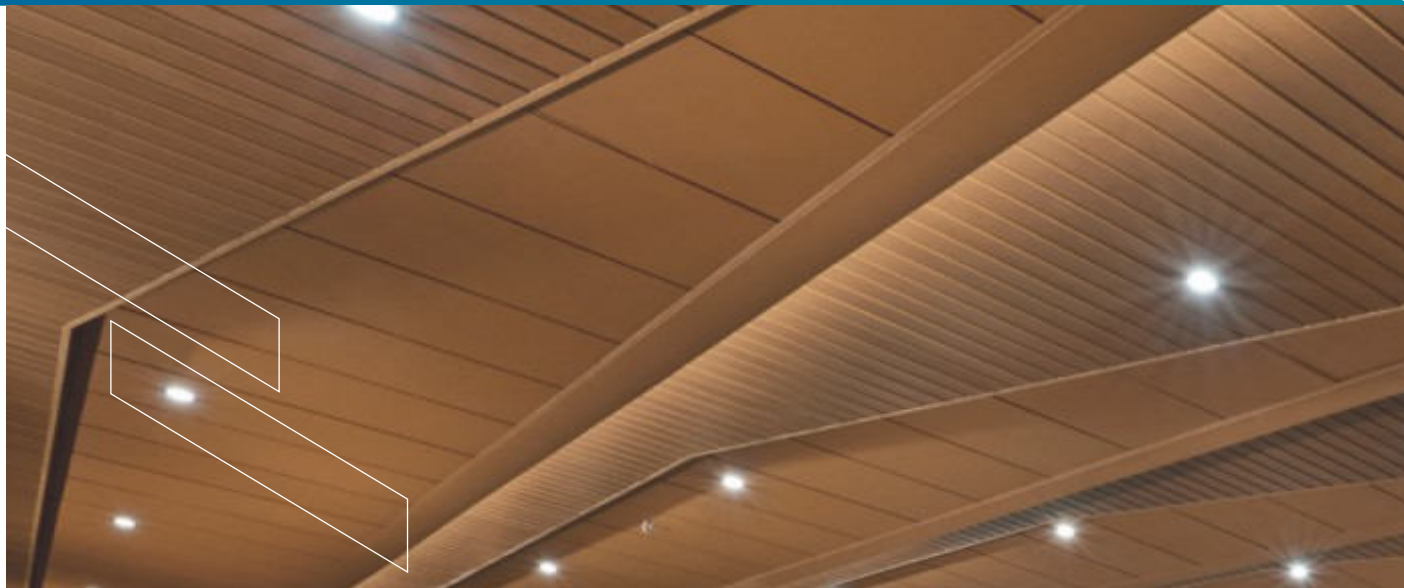


SUSPENSION

Height adjustment Spring Steel Big clip, 4mm dia GS Rod, Panel coupler, Carrier coupler, GS /Aluminum Edge Profile.



FRESCO 84R | 184R | 84RF | 184RF



Fresco 84R can be specified to create an emphasis and enhance on the rounded linear appearance of the ceiling. The open joint between the panels creates a rounded linear aesthetic giving a directional effect to the space. This ceiling system is primarily known for its fluid lines, versatility and easy installation, where individual panels are easily demountable for easy access to services.

Remson Skyward also provides join profile that is flush with the face of the panel for smoother appearance.

Product Specification



MATERIAL

GI of 0.45 – 0.50 mm thick, Aluminum of 0.65 – 0.71 mm thick



PANELS

Round edged panels having a maximum length upto 4 mts.



CARRIER

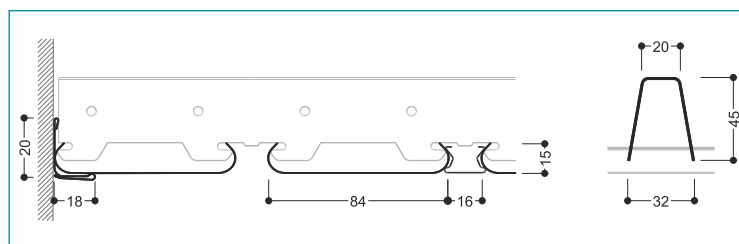
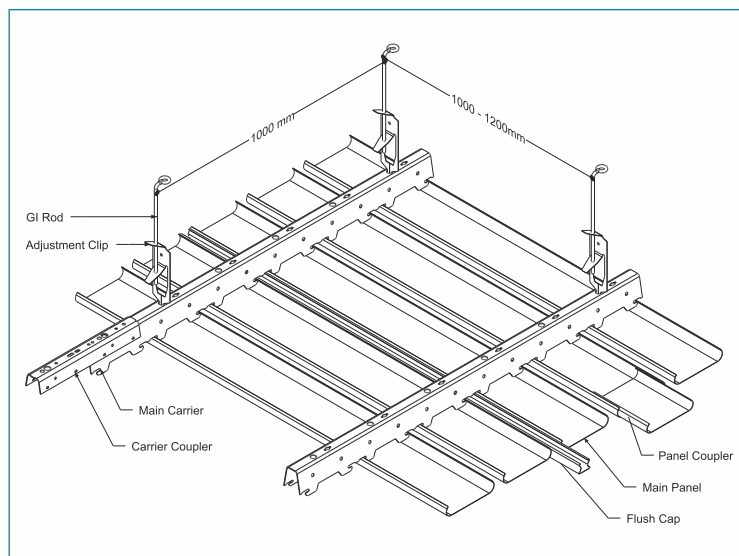
Made using 0.60 mm thick GI sheet holding the panels in a module of 100 or 200 mm.



PAINT FINISH

55 m powder coating or 25 m polyester coil coating over primer, on visible surface.

Typical System Overview



Module specification

Panel	84	184	284
Groove	16	16	16

FRESCO MULTI-C

Fresco Multi-C ceiling system is a combination of multiple panels with varying widths. Multi-C linear system panels emphasizes on achieving a closed smooth ceiling with beveled edges between panels. Three different widths combined with one another, create subtle patterns thereby producing a stunning finish to any ceiling appearance.

Remson Skyward also provides perforated panels for better ventilation and optimum acoustic control.

Product Specification



MATERIAL

GI of 0.45 – 0.50 mm thick, Aluminum of 0.65 – 0.71 mm thick



PANELS

Linear panels with beveled edges having a maximum length upto 4 mts.



CARRIER

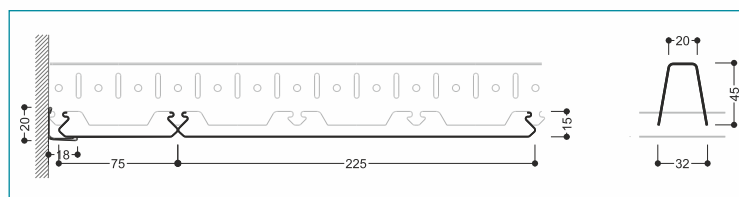
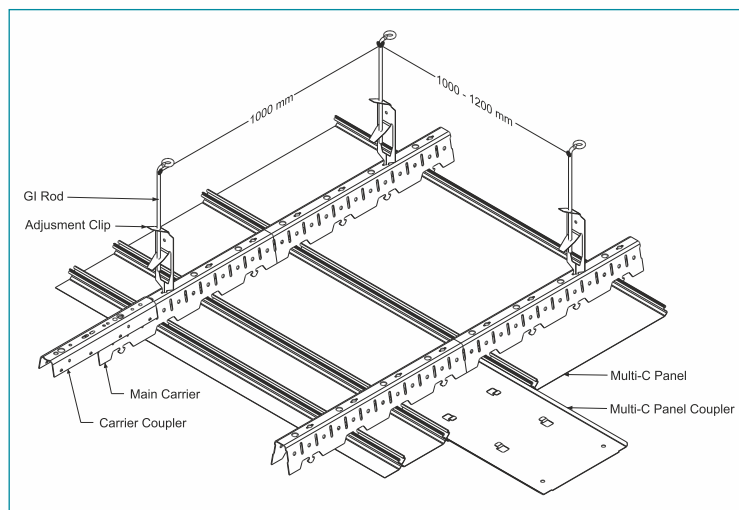
Made using 0.60 mm thick GI sheet holding the panels in a module with varying widths.



PAINT FINISH

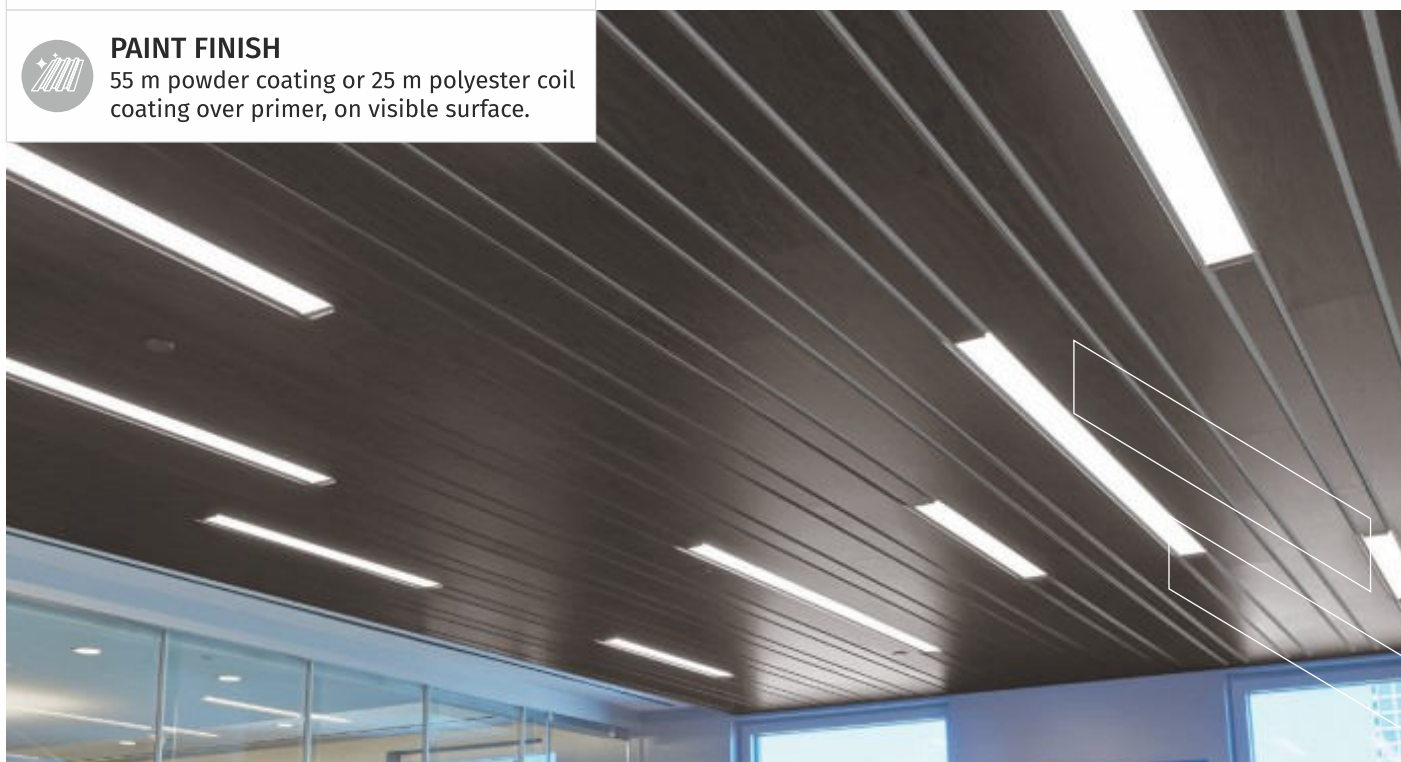
55 m powder coating or 25 m polyester coil coating over primer, on visible surface.

Typical System Overview



Module specification

Panel	75	150	225	300
-------	----	-----	-----	-----



FRESCO 150F



Fresco Linear 150F presents uninterrupted appearance through neat closed joints. This system of Inter-lockable panels are designed to be non-removable and customary access can be provided through access doors. This ceiling design is excellent for outdoor spaces and exteriors that are frequently exposed to varied climatic conditions.

Remson Skyward 150F panels offer good aesthetics along with functionality of easy washing, corrosion resistivity and air-tight features.

Product Specification



MATERIAL

GI of 0.45 – 0.50 mm thick, Aluminum of 0.65 – 0.71 mm thick



PANELS

Linear panels with interlockable flange having a maximum length upto 4 mts.



CARRIER

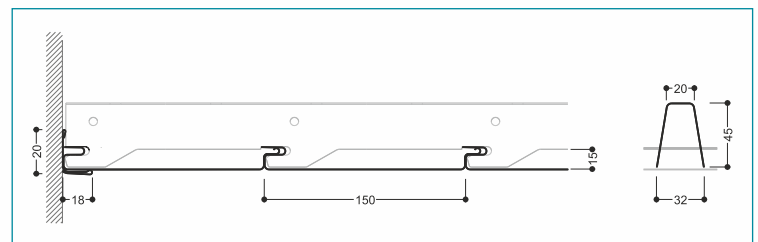
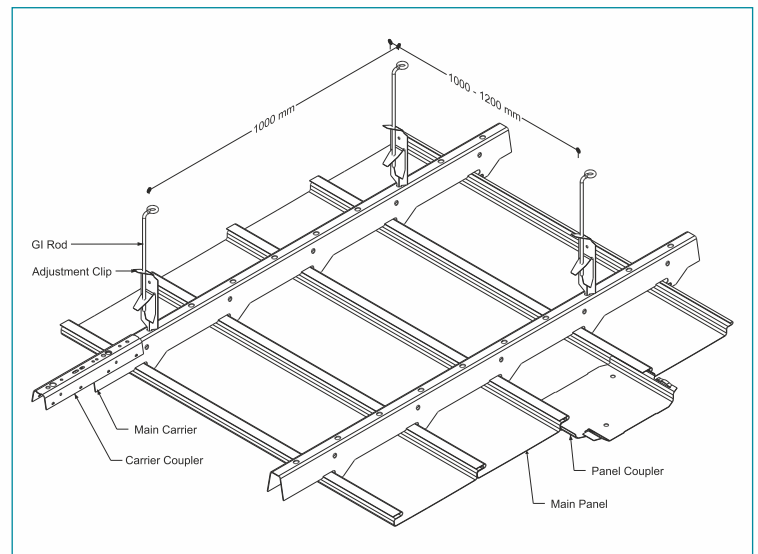
Made using 0.60 mm thick GI sheet holding the panels in a module of 150 mm.



PAINT FINISH

55 m powder coating or 25 m polyester coil coating over primer, on visible surface.

Typical System Overview



Module specification

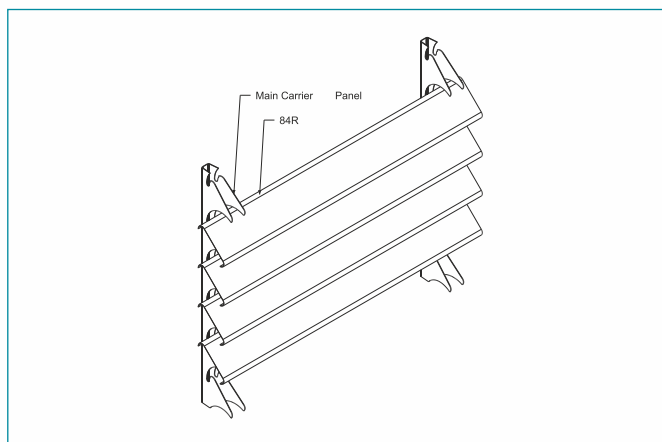
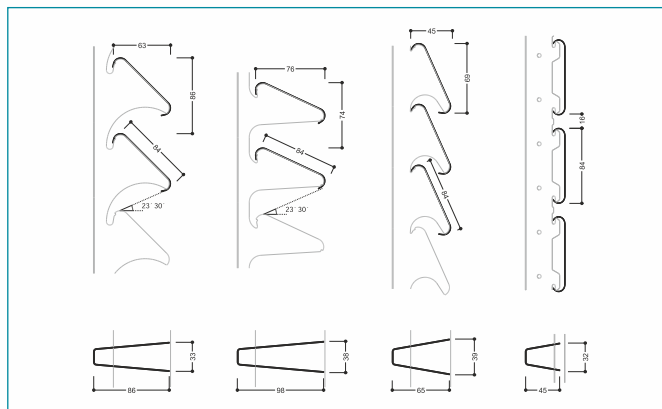
Panel	150
-------	-----

FRESCO SUN-LOUVERS

Fresco Sun-louvers system is known for its ease of installation and offering a rounded linear appearance to the space. Used typically as open facades or in front of windows, louvers provide shading from all sun angles, thereby reducing heat gain in and around the building. Adding to the sleek appearance and creating a visual boundary to the building they still allow for natural ventilation.

Remson Skyward offers a range of sun louvers systems made in different fi-nishes and varying angles.

Typical System Overview



Product Specification



MATERIAL

GI of 0.45 – 0.50 mm thick, Aluminum of 0.65 – 0.71 mm thick



PANELS

Round edged panels having a maximum length upto 4 mts.



CARRIER

Made using 0.60 mm thick GI sheet holding the panels in a module with varying widths.



PAINT FINISH

55 m powder coating or 25 m polyester coil coating over primer, on visible surface.

Module specification

Panel	84	84	84	84
Groove	16	27	30	60

Custom gap on request



BAFFLE

REMSON
Skyward Inc

FRESCO U-SHAPED BAFFLE

Fresco U-Shaped Baffle ceiling system offer a spatial pattern with linear open groves. The panels are arranged linearly or in various patterns to render unique aesthetics. Our baffle system is a perfect choice when there is a need for an open ceiling with emphasis on direction that radiate a concise modern style with simple convenient installation assembly.

Remson Skyward offers end-to-end finished look with innovative end-cap baffles that enhances the aesthetic of the ceiling. We also offer reverse baffle which renders a clean, sophisticated look and a clutter-free, uniform ceiling design.

Product Specification



MATERIAL

GI of 0.45 – 0.50 mm thick, Aluminum of 0.65 – 0.71 mm thick



PANELS

Box-shaped having a maximum length upto 4 mts.



CARRIER

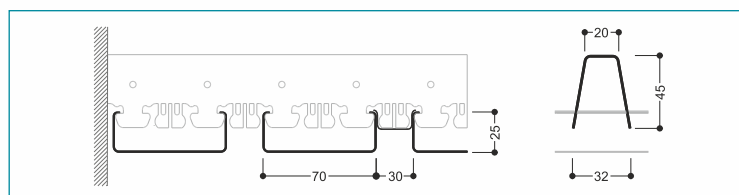
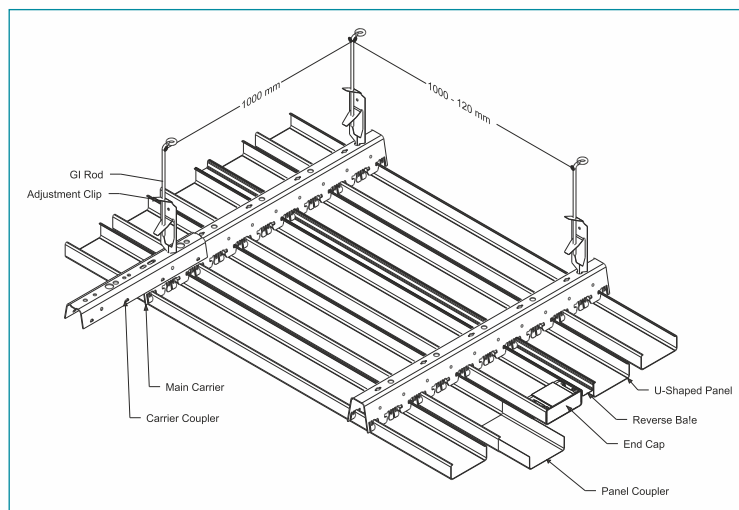
Made using 0.60 mm thick GI sheet holding the panels in a module with varying widths.



PAINT FINISH

55 m powder coating or 25 m polyester coil coating over primer, on visible surface.

Typical System Overview



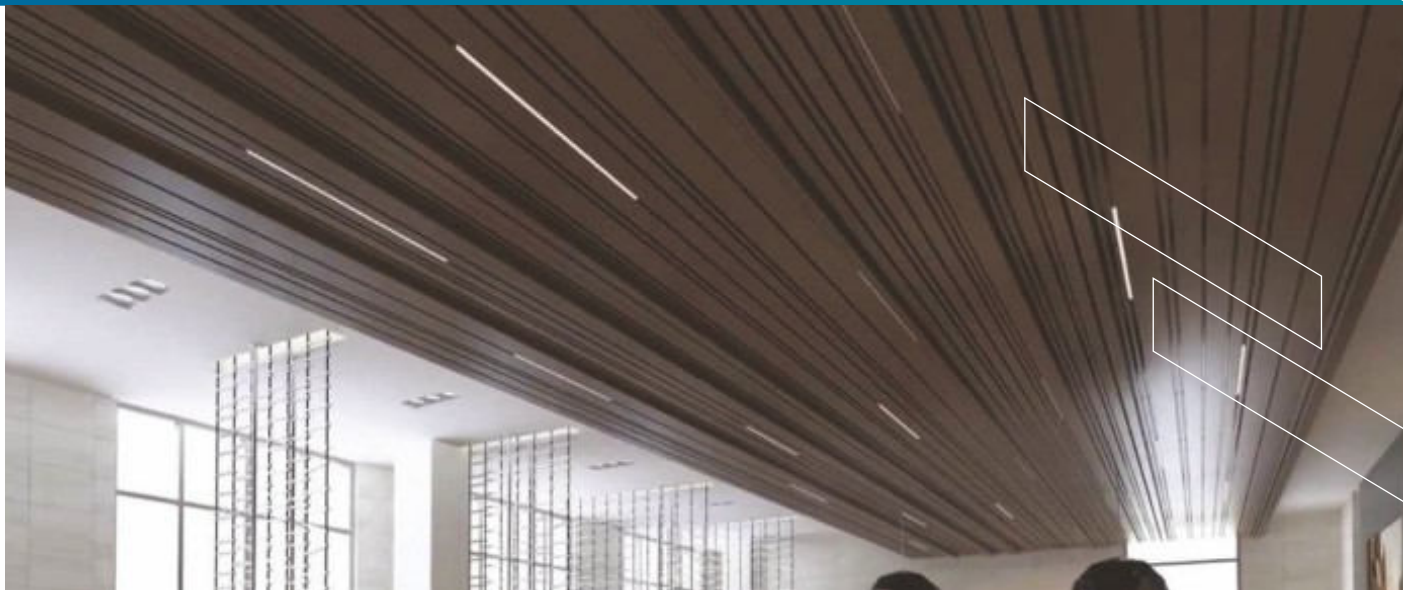
Module specification

	Height	Width	Gap
Minimum	25	25	25
Maximum	150	150	150

Custom size and gap on request



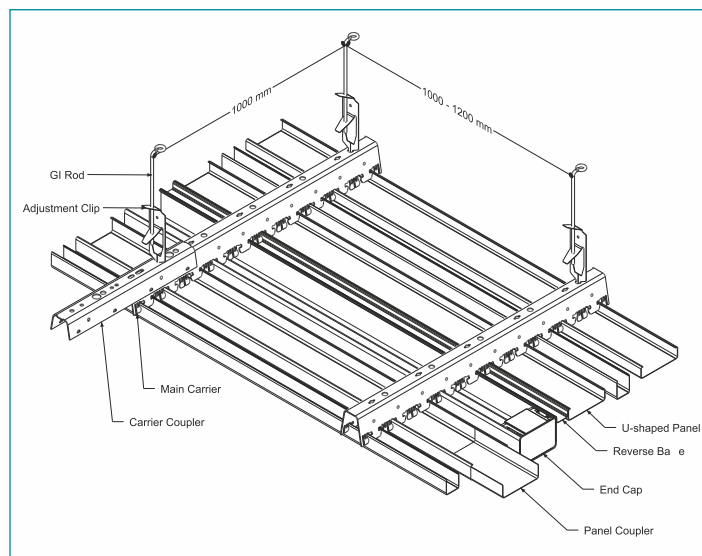
FRESCO MULTI-BAFFLE



Fresco Multi-baffle system is a collection of various patterns and combinations that emphasizes on the dynamicity further. The panels are arranged in such a manner so as to curate a modular false ceiling with an actual 3D effect. Custom-made for every space and architecture, the most interesting feature of this baffle system is that one can use different panels with varying heights and depths to create unlimited distinctive patterns.

Remson Skyward offers baffles that can be installed easily with specific carriers, with a locking system, that requires least maintenance.

Typical System Overview



Product Specification



MATERIAL

GI of 0.45 – 0.50 mm thick, Aluminum of 0.65 – 0.71 mm thick



PANELS

Box-shaped having a maximum length of 4 mts.



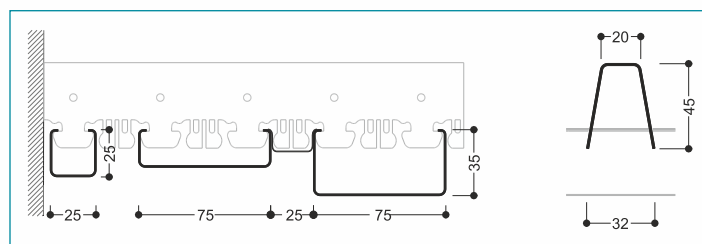
CARRIER

Made using 0.60 mm thick GI sheet holding the panels in a module with varying widths.



PAINT FINISH

55 m powder coating or 25 m polyester coil coating over primer, on visible surface.



Module specification

	Height	Width	Gap
Minimum	25	25	25
Maximum	150	150	150

Custom size and gap on request

FRESCO V-SHAPED BAFFLE

Fresco V-shaped baffle ceiling system helps make space more sound absorbent and linearly aesthetic. It gives any space unique effect of refined elegance. This system is ideal for applications where the design criteria is to visually reduce the room height while retaining original room volume. This ceiling system excels at diffusing daylight or artificial light entering from above.

Remson Skyward offers V-shaped panels with varying heights and spacing so as to meet with the designer needs.

Product Specification



MATERIAL

GI of 0.45 – 0.50 mm thick, Aluminum of 0.65 – 0.71 mm thick



PANELS

V-shaped having a maximum length of 4 mts.



CARRIER

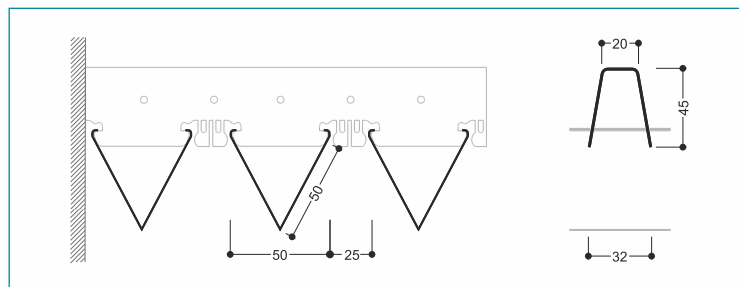
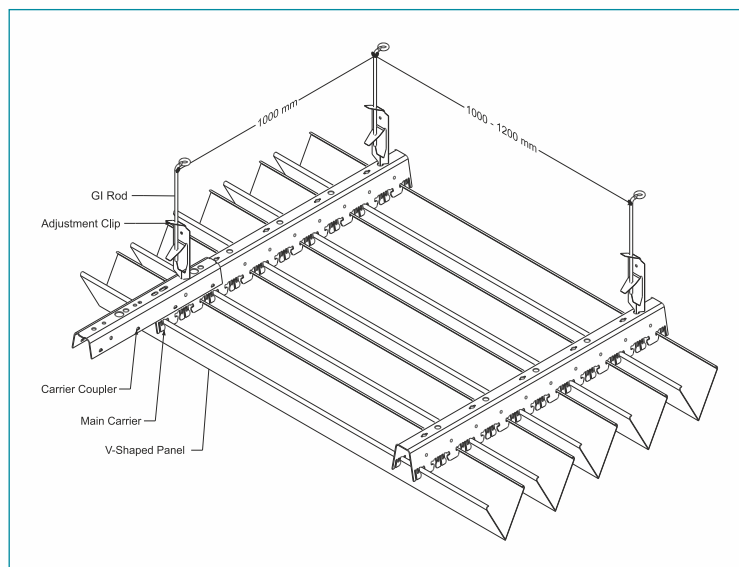
Made using 0.60 mm thick GI sheet holding the panels in a module with varying widths.



PAINT FINISH

55 m powder coating or 25 m polyester coil coating over primer, on visible surface.

Typical System Overview



Module specification

Size	50	75
Gap	25	50



FRESCO BAFFLE LOUVERS



Fresco Baffle louvers are specified by architects and designers keeping in mind its great aesthetics, cost effectiveness and easy maintenance. This system does not just allow for great ventilation but also add a flair of sophisticated elegance to the exteriors. Our louver system is capable of withstanding impact of harsh weather conditions while screening unsightly equipment from building elevation.

Remson Skyward offers both U-shaped and V-shaped louver panels with parallel or horizontal arrangement of the panels that can be symmetric or designed candidly, to enhance the visual playground.

Product Specification



MATERIAL

GI of 0.45 – 0.50 mm thick, Aluminum of 0.65 – 0.71 mm thick



PANELS

Box-shaped/V-shaped having a maximum length of 4 mts.



CARRIER

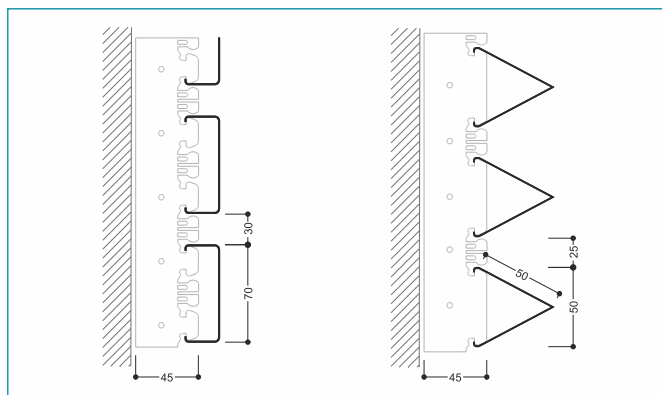
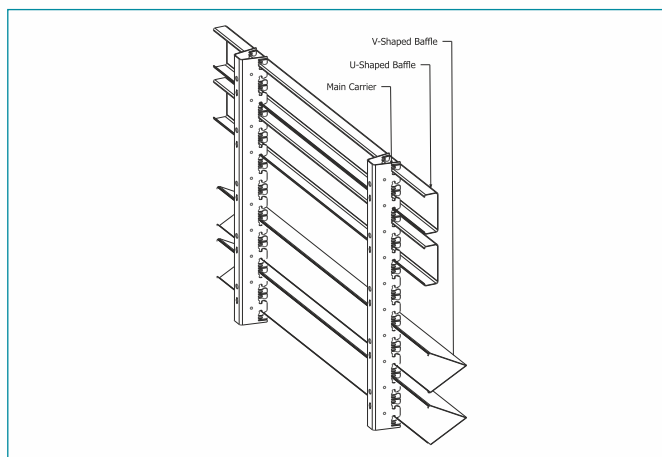
Made using 0.60 mm thick GI sheet holding the panels in a module with varying widths.



PAINT FINISH

55 m powder coating or 25 m polyester coil coating over primer, on visible surface.

Typical System Overview



Module specification

	Height	Width	Gap
Minimum	25	25	25
Maximum	150	150	150

Custom size and gap on request

GRID

REMSON
Skyward Inc

FRESCO LAY-IN TILE

Fresco Lay-in ceiling system although being simple and cost-effective ceiling system have proven the worth for giving excellent design appeal. It offers a flawless, uninterrupted and harmonious ambience to the project. Lay-in metal ceiling tiles offer classic ceiling solutions, featuring different sizes and edge options, and compatibility with standard features.

Remson Skyward offers metal tiles with various perforations and acoustic over-lays to increase the acoustic functionality of a space.

Product Specification



MATERIAL

GI of 0.45 – 0.50 mm thick, Aluminum of 0.65 – 0.71 mm thick



PANELS

Square or rectangular design with a square edge on each side.



CARRIER

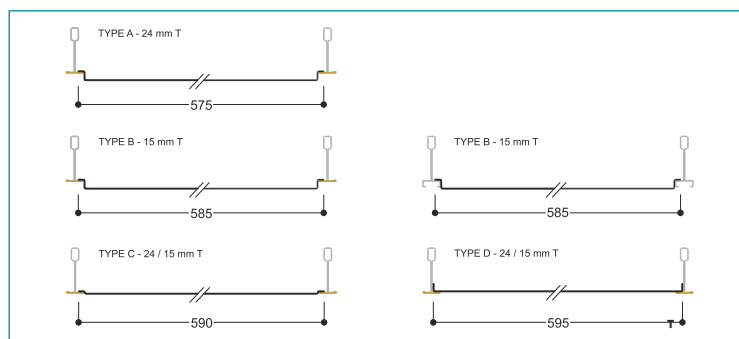
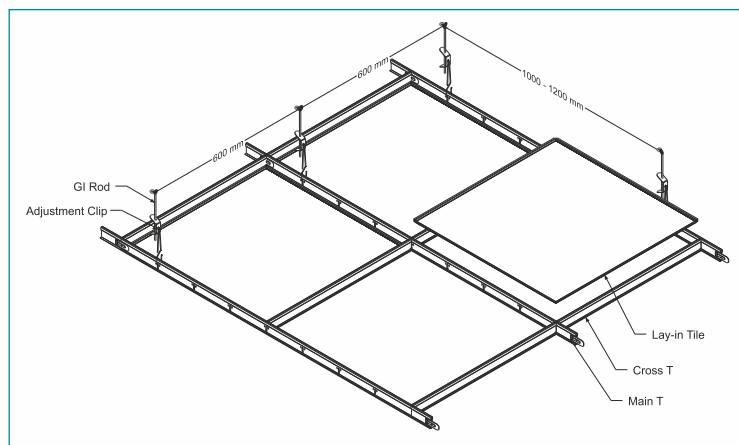
Made using 0.30 mm thick GI sheet. Suspended in a required grid module.



PAINT FINISH

55 m powder coating or 25 m polyester coil coating over primer, on visible surface.

Typical System Overview



Module specification

Size	575	585	1125	1175
		575	585	275



FRESCO CLIP-IN TILE



Fresco Clip-in tile system adds a clean, seamless and unobstructed visual field to any space with no visual suspension carriers. Its ease of installation and removal makes it an ideal choice for any commercial or large area projects ensuring smooth appearance. This system comes with wide range of sizes and layouts to help turn various design ideas turn into reality.

Remson Skyward offers Clip-in tiles with square as well as beveled edges to emphasize on the crisp ceiling joint lines.

Product Specification



MATERIAL

GI of 0.45 – 0.50 mm thick, Aluminum of 0.65 – 0.71 mm thick



PANELS

Square or rectangular design with a square/beveled edge on each side.



CARRIER

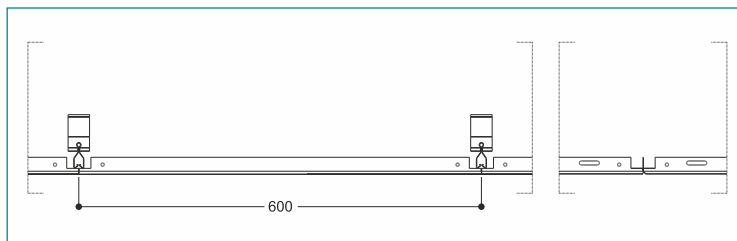
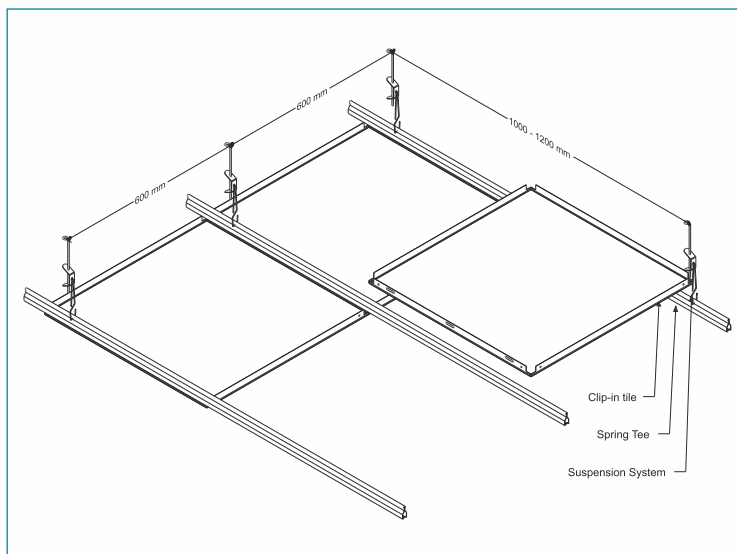
Made using Galvanized steel. Suspended in a required grid module.



PAINT FINISH

55 m powder coating or 25 m polyester coil coating over primer, on visible surface.

Typical System Overview



Module specification

Size	300	600	1200	1200
	300	600	300	600

FRESCO OPEN CELL CEILING

Fresco Open Cell Ceiling Systems help define a space and create interesting shadows and lighting effects that is ideal for interiors where open, light installations are desired giving a three-dimensional effect to the ceiling. This modular ceiling system creates a clean plenum mask to offer an easy access to all systems while offering a fully functional height of the room for any possible features.

Remson Skyward offers cell-ceiling tiles in range of patterns, configurations and finishes as desired by the designer.

Product Specification



MATERIAL

GI of 0.45 – 0.50 mm thick, Aluminum of 0.65 – 0.71 mm thick



PANELS

Square or rectangular design with a square/beveled edge on each side.



CARRIER

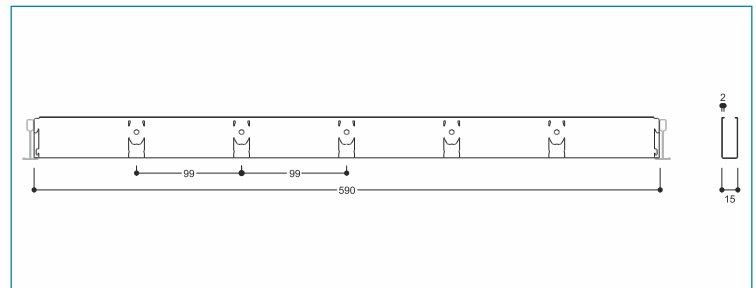
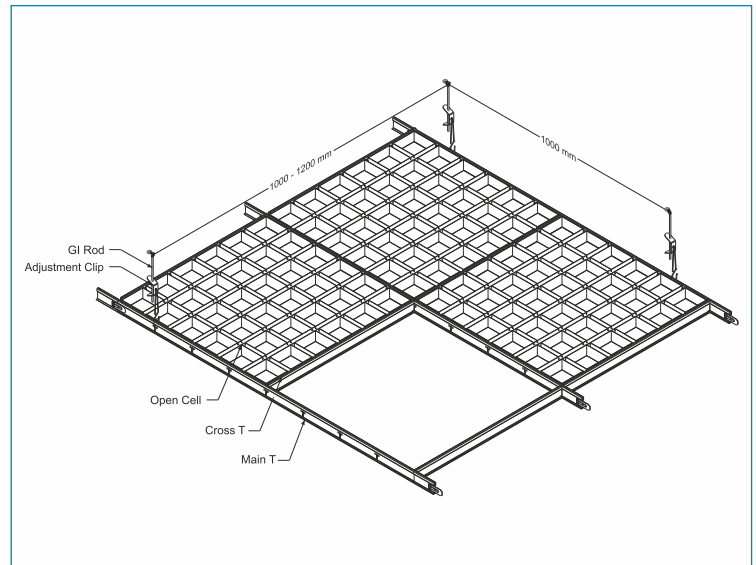
Made using 0.30 mm thick GI sheet. Suspended in a required grid module.



PAINT FINISH

55 m powder coating or 25 m polyester coil coating over primer, on visible surface.

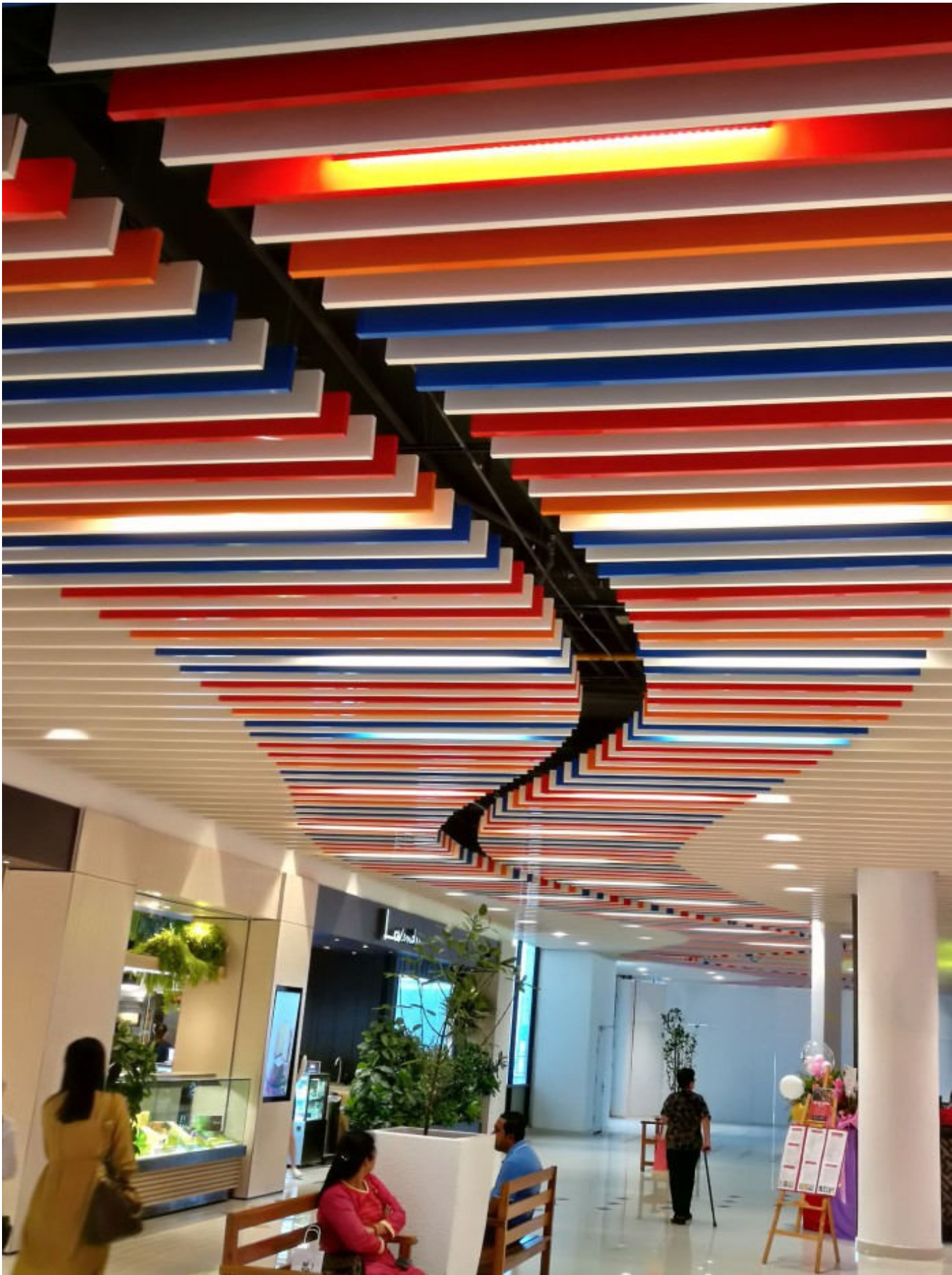
Typical System Overview



Module specification

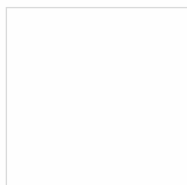
Size	100	150	200	300
		100	150	200



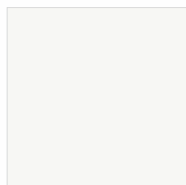


MATERIAL FINISH

Standard Colors



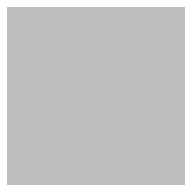
RAL 9003



RAL 9010



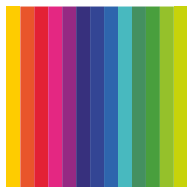
RAL 7015



RAL 7035

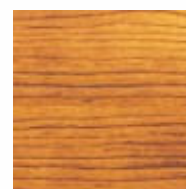
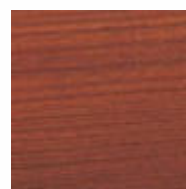
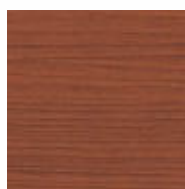
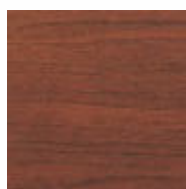
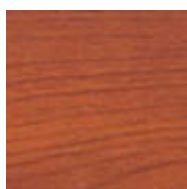


RAL 9005



Any RAL Shade
on Request

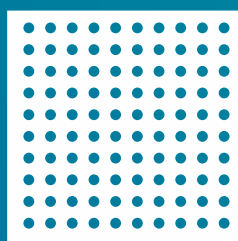
Wooden Finish



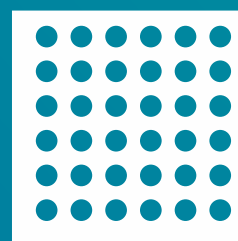
Perforation Patterns



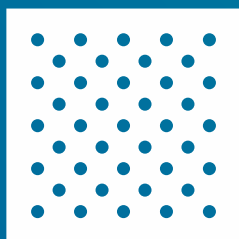
SD 60
6 MM DIA HOLE | 12 MM PITCH
21% OPEN AREA



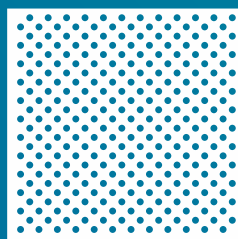
SD 25
2.5 MM DIA HOLE | 5 MM PITCH
20% OPEN AREA



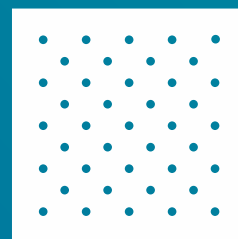
SD 50
5 MM DIA HOLE | 8 MM PITCH
30% OPEN AREA



SD 30
3 MM DIA HOLE | 7 MM PITCH
15% OPEN AREA



SD 16
1.6 MM DIA HOLE | 3.0 MM PITCH
22% OPEN AREA



SD 20
2.0 MM DIA HOLE | 7 MM PITCH
7% OPEN AREA

Closing Note

Remson is not just a manufacturing company, it is beyond that. Our engineers, designers and support staff not only work with their full capability and potential but also strive to work smart. As the world is covered by technology on every side, so are the team members of Remson Group. With a wide product range of Aluminium Ceiling products, we are becoming a leading and smart False Ceiling company in the market.

Whether it is planning, designing or a quick guidance regarding your architectural ideas our engineers and designers do it all. All you have to do is to put your trust in us and see the results for yourself.

Trust Technology, Trust Remson!



Manufactured by :

Remson Skyward INC.

Plot No. G-2102, Lodhika GIDC Kalawad
Road, Metoda - Rajkot - Gujarat- 360021

Ph. : +91 78740 00160

E : info@remsonskyward.com

W : remsonskyward.com

An ISO 9001:2015 certified company

Note:

All the design & development rights of the displayed Ceiling systems is Held with Remson Skyward INC. Production/Reproduction of the same may be liable for legal action.
Ceiling systems displayed in catalogue is for representation purpose only. Final product may vary than displayed product in catalogue.