

Torfenster[®]
Doors & Windows

CREATING VALUE **SINCE 2007**

IMPECCABLY DESIGNED
WORLD'S MOST
**STYLISH
WINDOWS**





WE ARE TORFENSTER

Incorporated in 2007, Torfenster Systems (India) Pvt. Ltd offers world class 'end-to-end' doors and windows solutions in India. Our success in what we do can be attributed to a combination of customer satisfaction, unparalleled quality of our products and our attitude of always striving for the best. Starting out in 2007 with the production capacity of 50 windows per day, we have come a long way, witnessing 100% growth rate every year. At Torfenster, we believe that perfection lies in details and that is the reason we follow international standards to always maintain quality parameters.

THINK QUALITY..
...THINK TORFENSTER





SERIES 1



Torfenster[®]
Doors & Windows

Torfenster Series 1 is the system without thermal break. This system is suitable for the places where there is not much requirement of thermal insulation in aluminium. This system is also equipped with special brush seal to attain maximum sound insulation and dustproof.

SERIES 1

SYSTEM TECHNICAL SPECIFICATION

	TORFESNTER SERIES 1
PROFILE ALLOY	6060/6063
POLYAMIDE WIDTH (mm)	NA
GLASS THICKNESS (mm)	12,18,24
MAX SQM/SHUTTER*	9
MAX HEIGHT SHUTTER* (mm)	4300
MULTI LOCKING	×
MAXIMUM WEIGHT OF EACH SHUTTER (KGS)	300
MOSQUITO MESH SOLUTION	✓
HIDDEN BOTTOM	×
CORNER OPENING	✓
MOTORIZATION	✓

TEST REPORTS

ACOUSTIC INSULATION	UP TO 41 DB AS PER NP EN 14351-1:2008
AIR PERMEABILITY	CLASS 4 AS PER EN 12207:2000
WATER TIGHTNESS	CLASS 7A AS PER EN12208:2000
WIND RESISTANCE	CLASS B4 AS PER EN 12210:2000

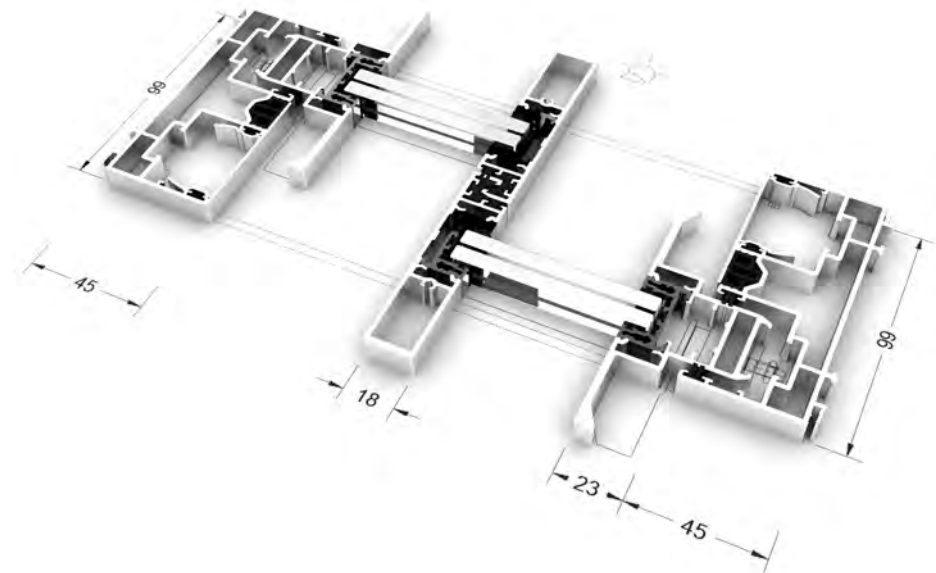
APPLICATION & SECTION DETAIL

		TORFESNTER SERIES 1
FRAME* (mm)	HEIGHT	45
FRAME WIDTH - MIN* (mm)	2T2P	99
	3T3P	158
SIGHTLINE AT INTERLOCK* (mm)		18
CENTER MEETING* (mm)	2T4P	18
HURRICANE BAR		✓

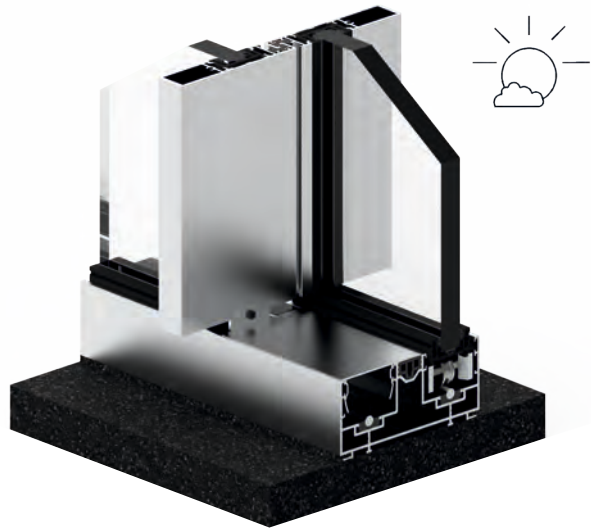
* Above data are for reference only. It is advisable to prior confirmation from technical department.



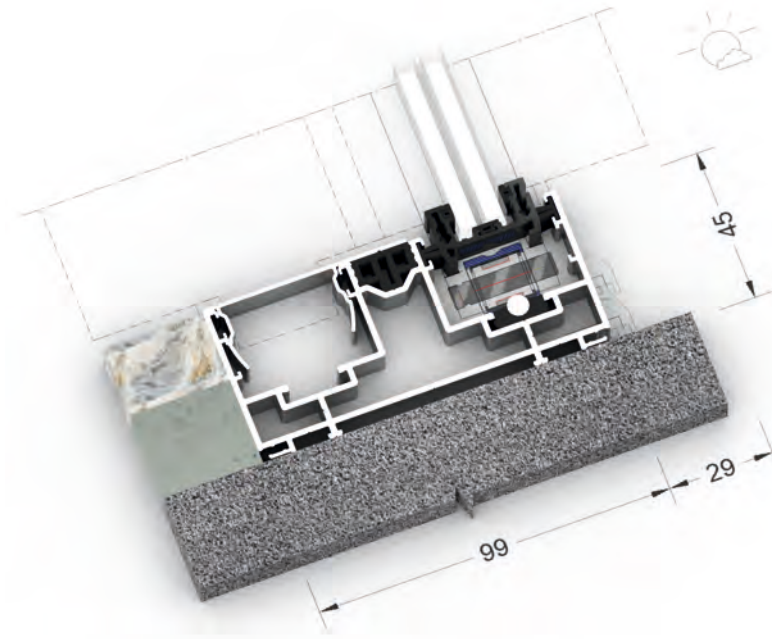
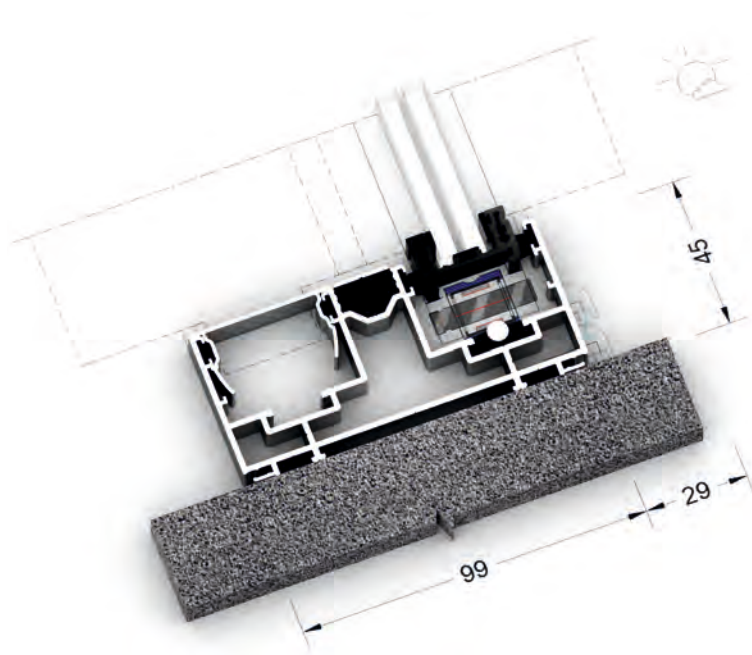
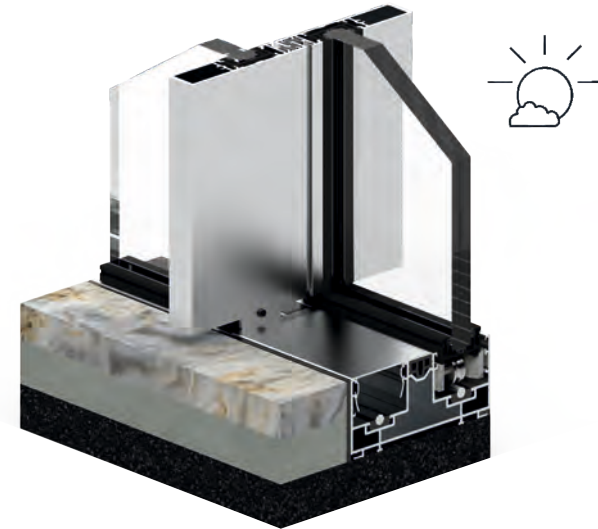
HORIZONTAL CROSS SECTIONAL VIEW



ON THE FLOOR



INSIDE CONCEAL





SERIES 1







SERIES 2



Torfenster Series 2 is the system with thermal break. With the combination of double glazed glass unit upto 36mm thick along with thermally broken profile, this system provides the best sound and thermal insulation. This system has proved to be an outstanding performer in various climatic conditions.

SERIES 2

SERIES 2

SYSTEM TECHNICAL SPECIFICATION

	TORFESNTER SERIES 2
PROFILE ALLOY	6060/6063
POLYAMIDE WIDTH (mm)	19
GLASS THICKNESS (mm)	12, 13.52, 18.28 & 32-36
MAX SQM/SHUTTER*	12
MAX HEIGHT SHUTTER* (mm)	5000
MULTI LOCKING	✓
MAXIMUM WEIGHT OF EACH SHUTTER (KGS)	600
MOSQUITO MESH SOLUTION	✓
HIDDEN BOTTOM	✓
CORNER OPENING	✓
MOTORIZATION	✓

TEST REPORTS

THERMAL TRANSMITTANCE	1.0-1.7 (W/m ² K) AS PER UNE-ISO 13947:2005
ACOUSTIC INSULATION	UPTO 41 dB AS PER NP EN 14351-1:2008
AIR PERMEABILITY	CLASS 4 AS PER EN 12207:2000
WATER TIGHTNESS	CLASS 7A AS PER EN 12208:2000
WIND	CLASS B4 AS PER EN 12210:2000

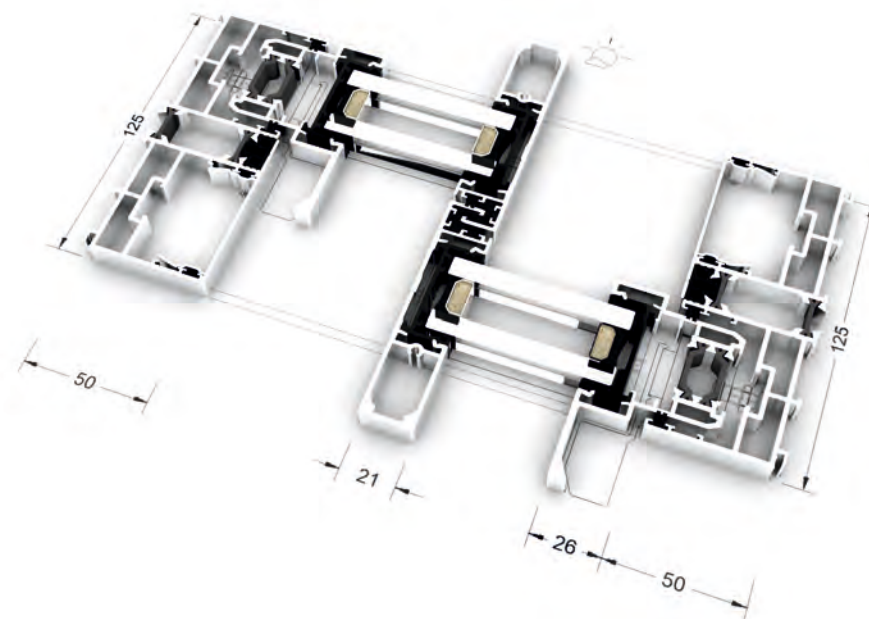
APPLICATION & SECTION DETAIL

		TORFESNTER SERIES 2
FRAME* (mm)	HEIGHT	50
FRAME WIDTH - MIN* (mm)	2T2P	125
	3T3P	197
SIGHTLINE AT INTERLOCK* (mm)		21
CENTER MEETING* (mm)	2T4P	21 & 48
HURRICANE BAR		✓

* Above data are for reference only. It is advisable to prior confirmation from technical department.

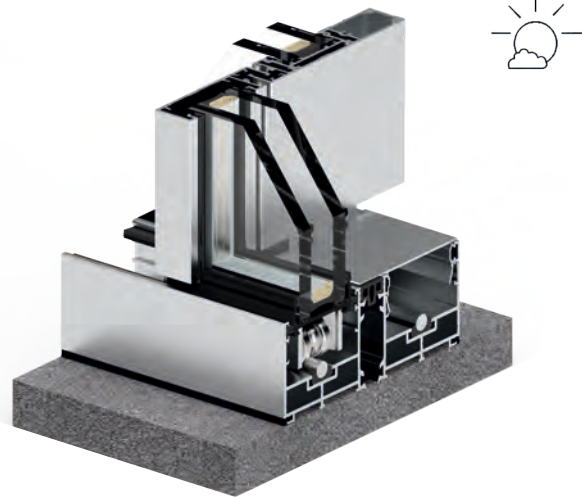


HORIZONTAL CROSS SECTIONAL VIEW



NORMAL SYSTEM

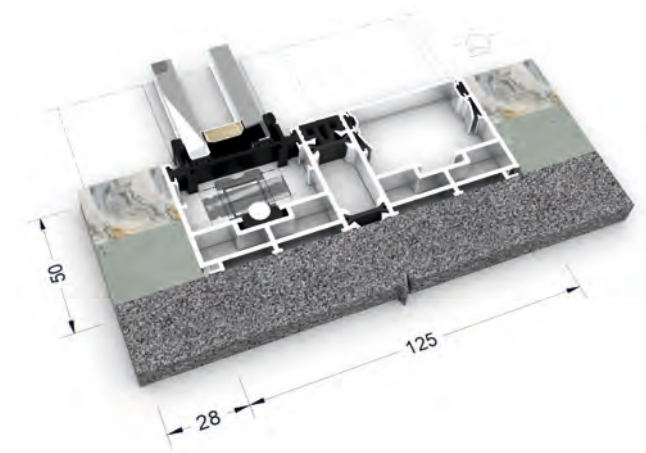
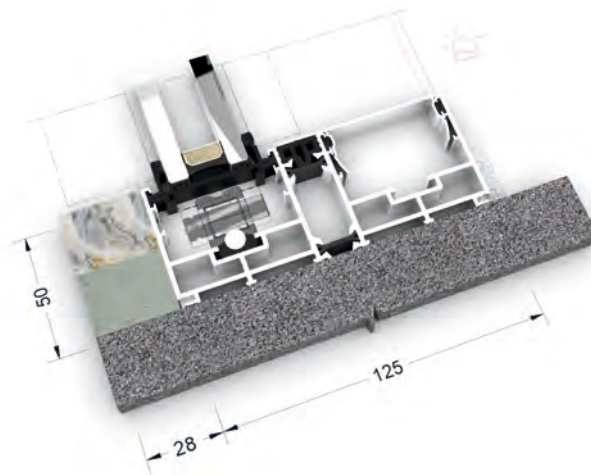
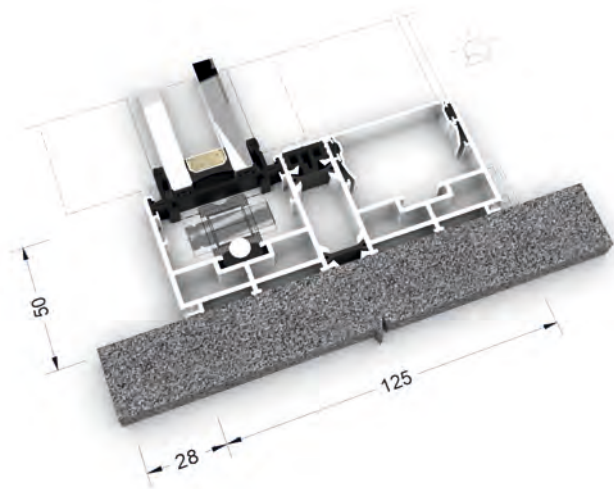
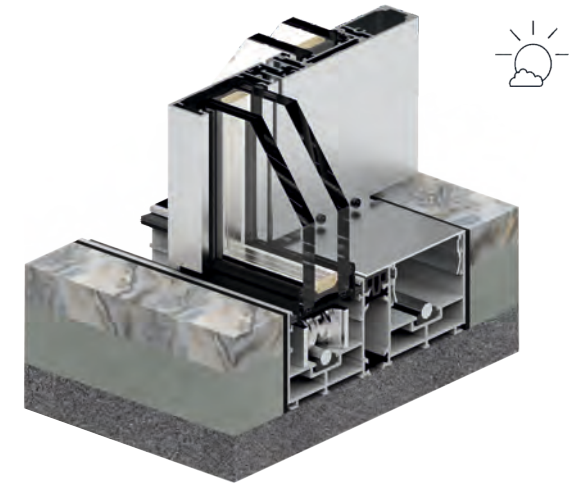
ON THE FLOOR



CONCEAL FROM INSIDE



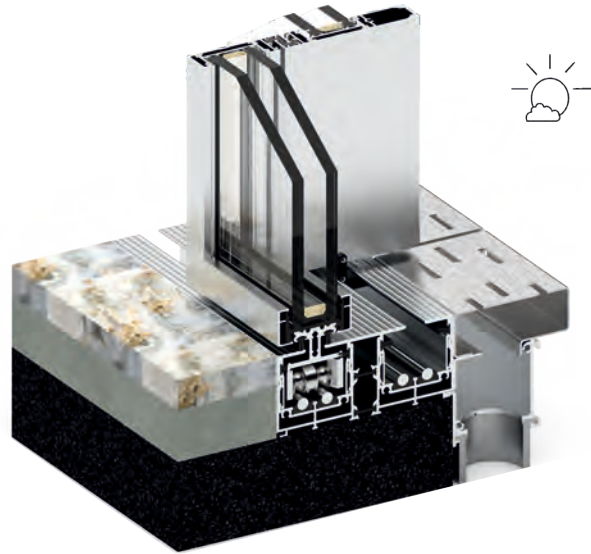
CONCEAL FROM BOTH SIDE



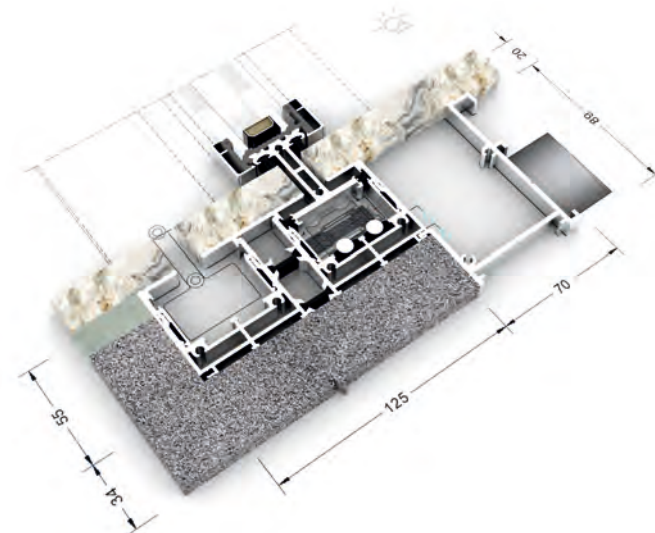
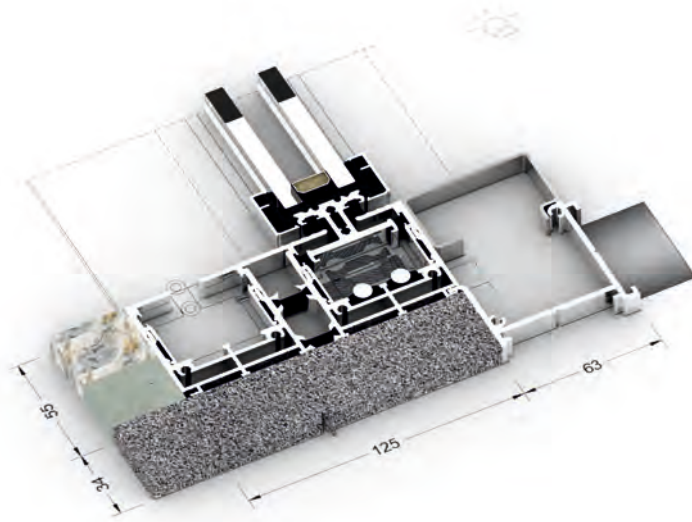
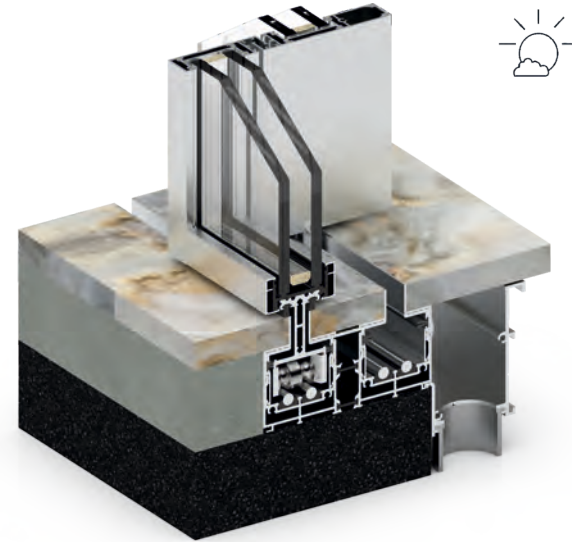


SERIES 2

SEMI HIDDEN SYSTEM



HIDDEN SYSTEM





SERIES 3



Torfenster Series 3 is the system with thermal break. System can accommodate glass unit with the thickness of upto 54mm, which provides maximum resistance to windload along with sound and thermal insulation. This system is highly suitable for extra large height of the cavity which makes it popular in the high end projects.

SERIES 3

SYSTEM TECHNICAL SPECIFICATION

	TORFESNTER SERIES 3
PROFILE ALLOY	6060/6063
POLYAMIDE WIDTH (mm)	37
GLASS THICKNESS (mm)	50-54
MAX SQM/SHUTTER*	14
MAX HEIGHT SHUTTER* (mm)	5800
MULTI LOCKING	✓
MAXIMUM WEIGHT OF EACH SHUTTER (KGS)	1000
MOSQUITO MESH SOLUTION	✗
HIDDEN BOTTOM	✓
CORNER OPENING	✓
MOTORIZATION	✓

TEST REPORTS

THERMAL TRANSMITTANCE	0.8-1.2 (W/m ² K) AS PER UNE-ISO 13947:2005
ACOUSTIC INSULATION	UPTO 41 dB AS PER NP EN 14351-1:2008
AIR PERMEABILITY	CLASS 4 AS PER EN 12207:2000
WATER TIGHTNESS	CLASS 7A AS PER EN 12208:2000
WIND	CLASS B4 AS PER EN 12210:2000

APPLICATION & SECTION DETAIL

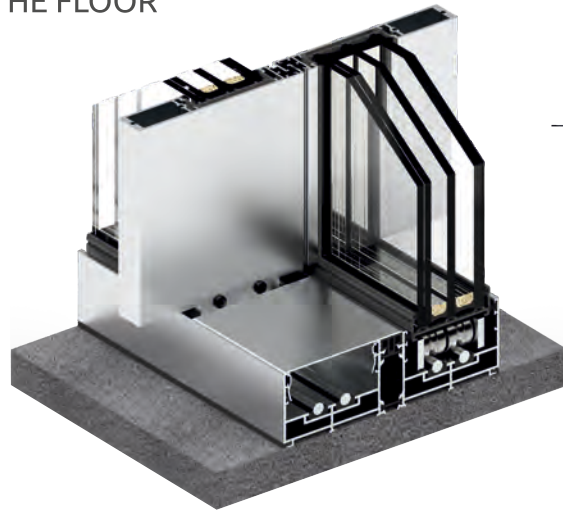
		TORFESNTER SERIES 3
FRAME* (mm)	HEIGHT	50
FRAME WIDTH - MIN* (mm)	2T2P	162
	3T3P	250
SIGHTLINE AT INTERLOCK* (mm)		21
CENTER MEETING* (mm)	2T4P	21 & 95
HURRICANE BAR		✓

* Above data are for reference only. It is advisable to prior confirmation from technical department.

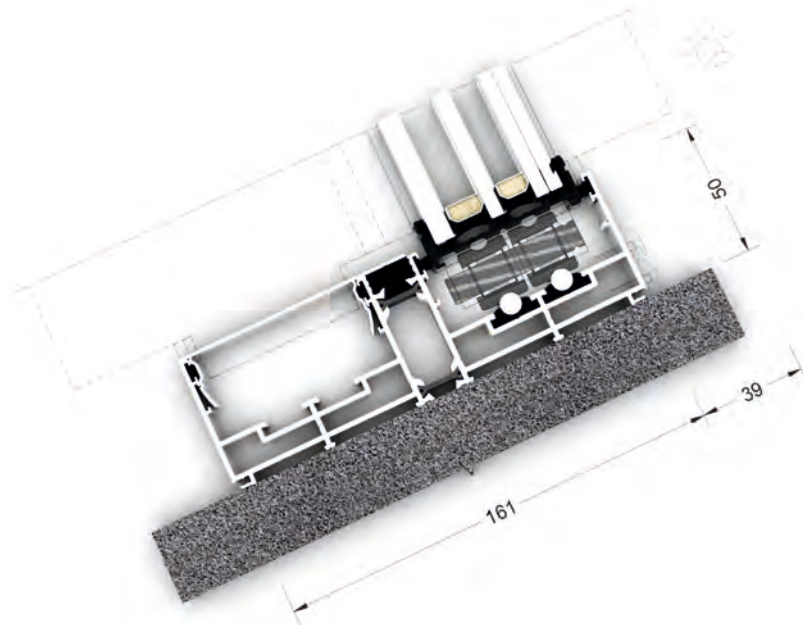
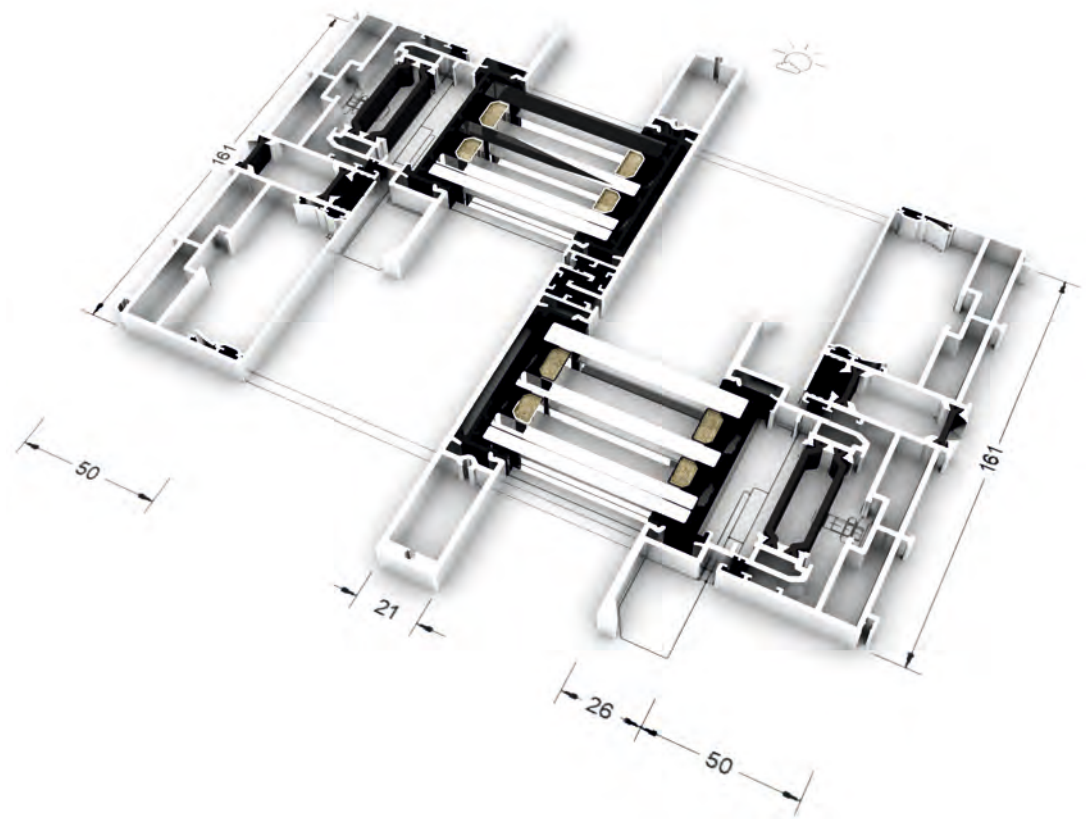


NON HIDDEN SYSTEM

ON THE FLOOR



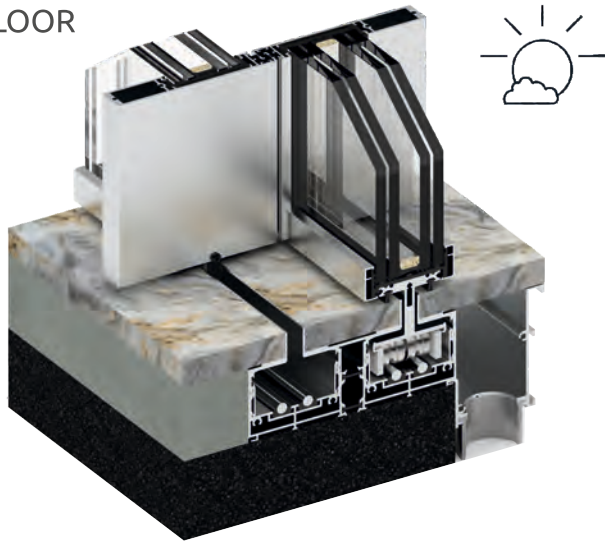
HORIZONTAL CROSS SECTIONAL VIEW



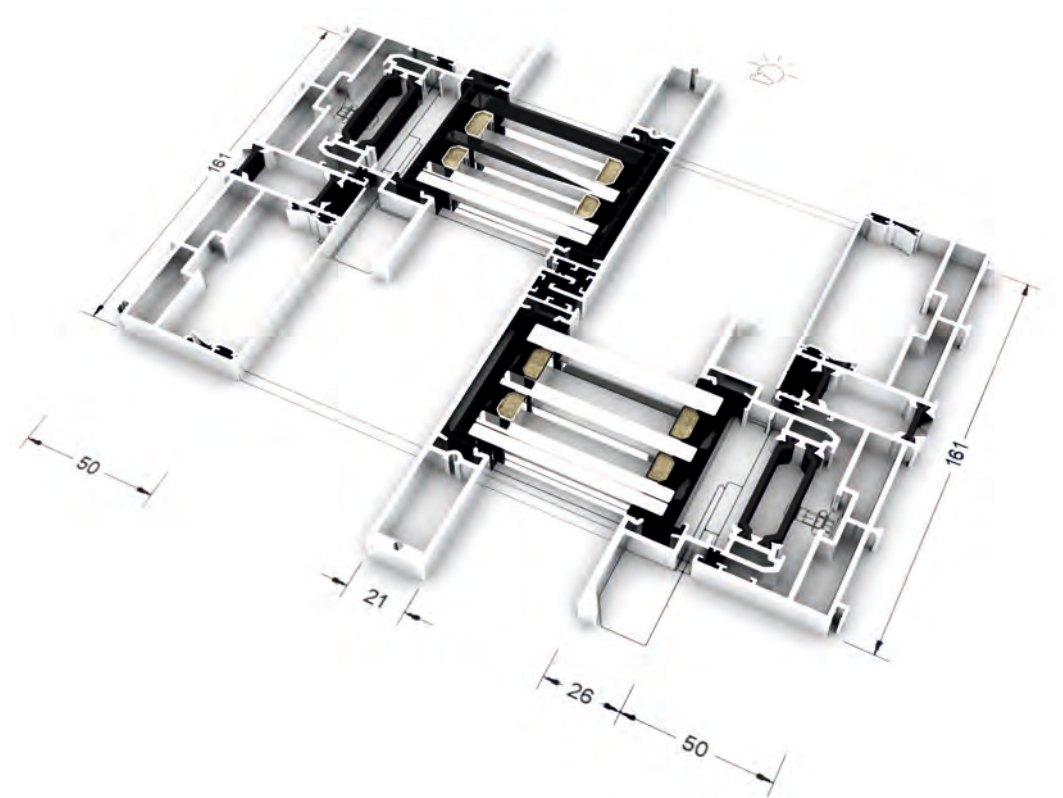
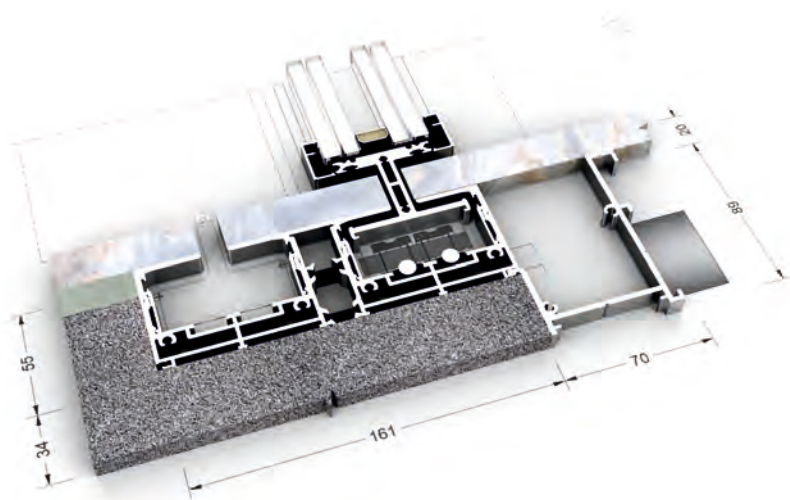


HIDDEN SYSTEM

ON THE FLOOR



HORIZONTAL CROSS SECTIONAL VIEW





SERIES 3

Torfenster[®]
Doors & Windows



SERIES 3

Torfenster Systems India Pvt. Ltd.

No. 44, 2nd Floor, Above Jeep Showroom,
Tumkur Road, Yeshwanthpur, Bangalore - 560022 (INDIA)
+91 80 23479738 | +91 9448191919
info@torfenster.com | www.torfenster.com



▶ Torfenster Systems @ torfenster_systems ▶ Torfenster Systems Pvt. Ltd. ▶ Torfenster Systems

